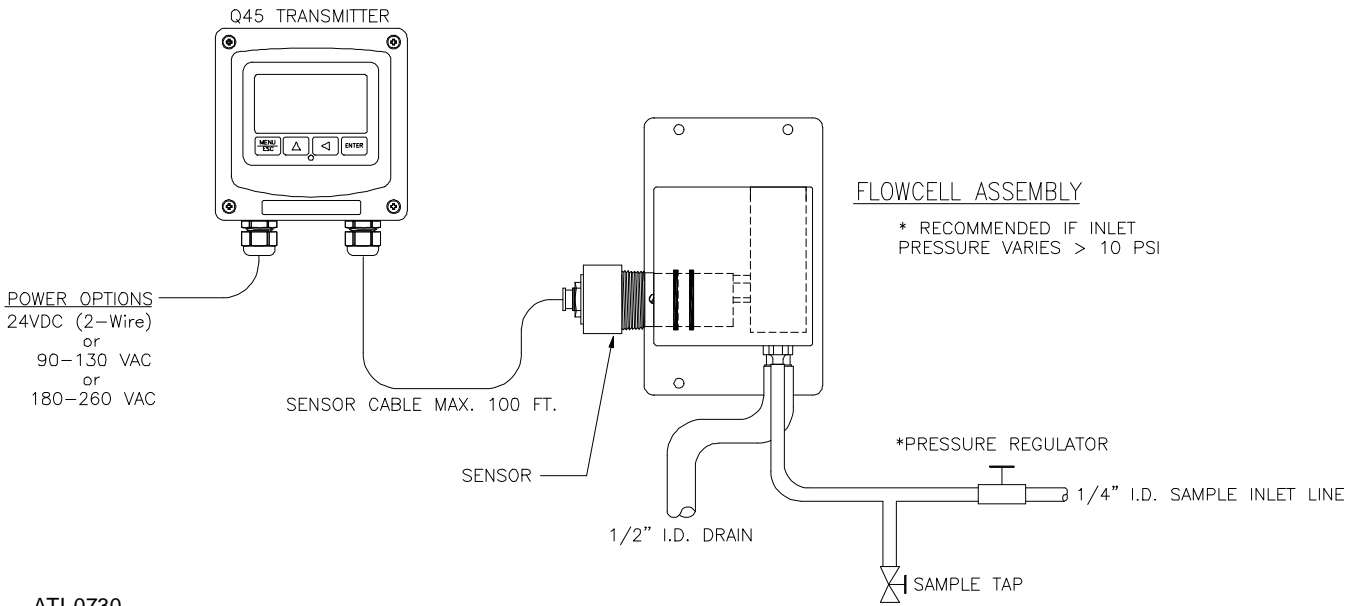
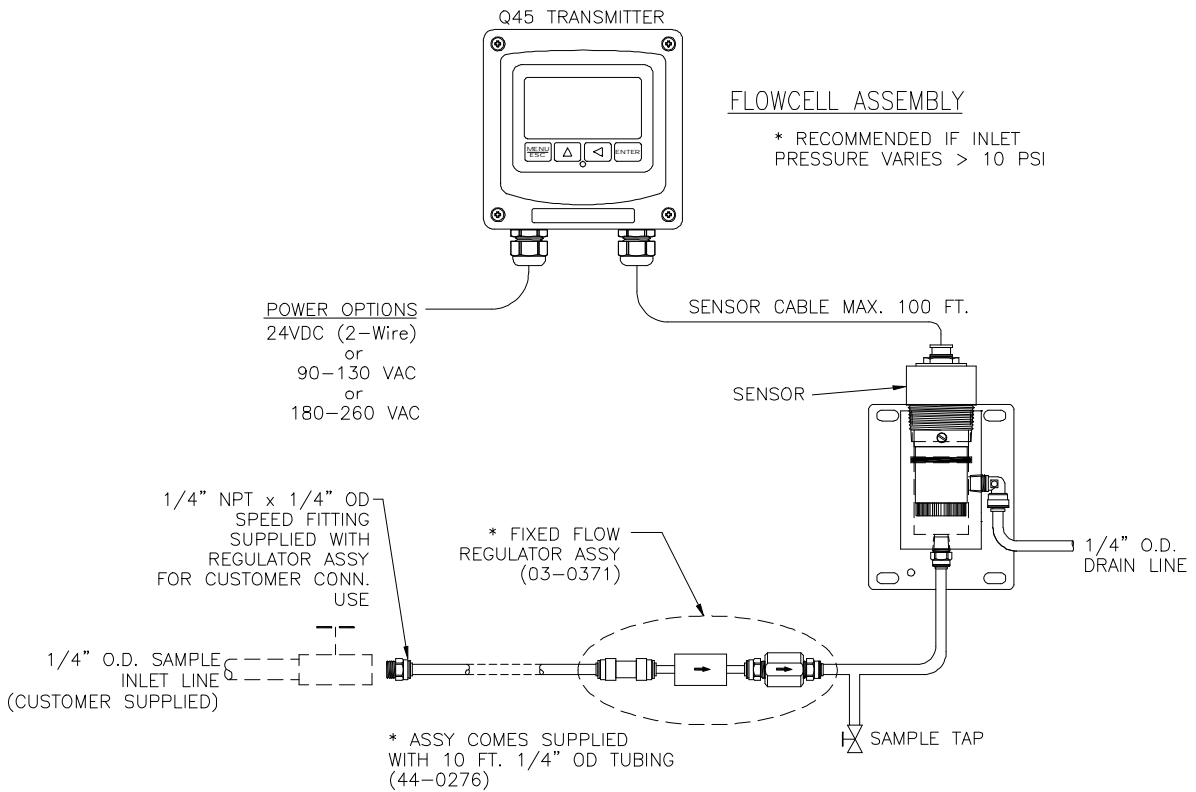


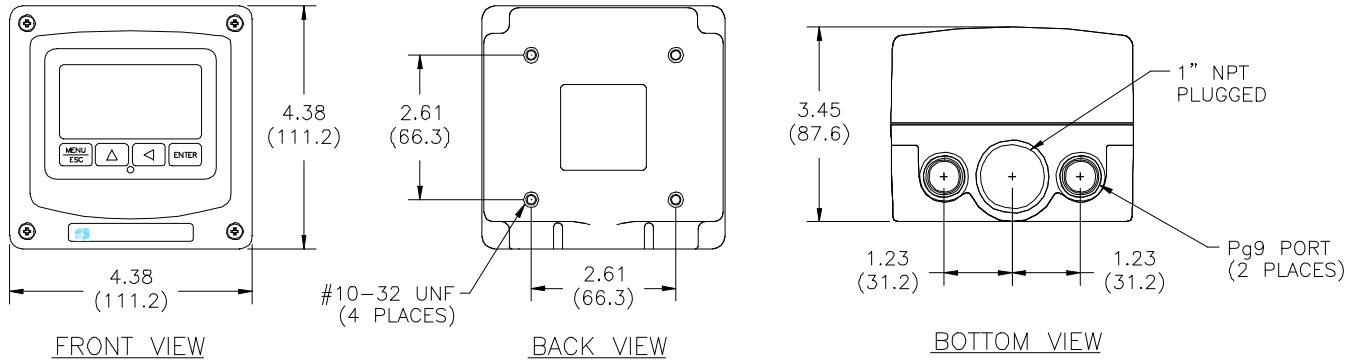
SYSTEM WITH CONSTANT HEAD FLOWCELL



SYSTEM WITH SEALED FLOWCELL



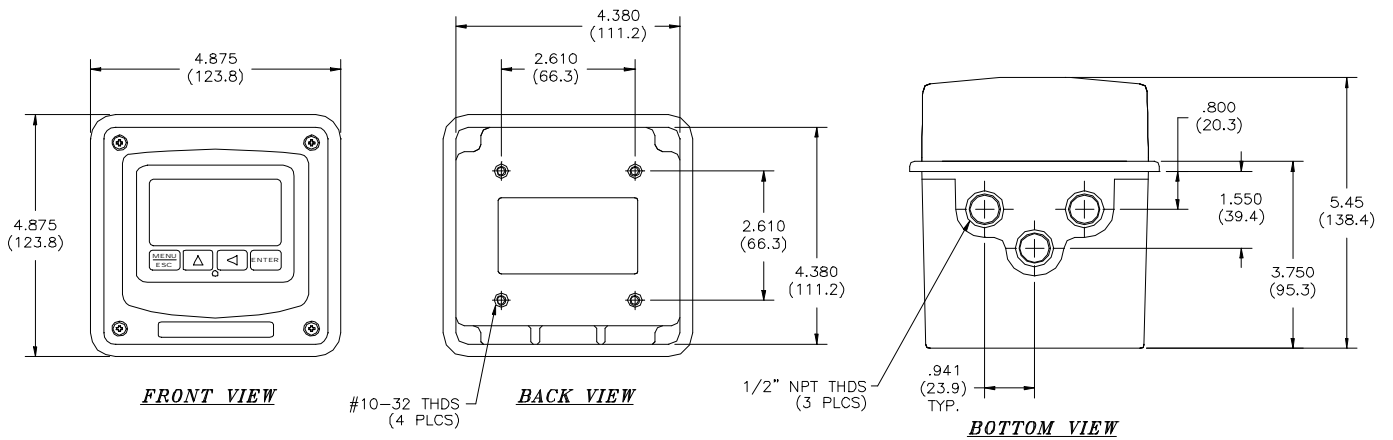
2-WIRE VERSION (or BATTERY POWERED)



NOTE: JUNCTION BOXES HAVE SAME DIMENSIONS AS 2-WIRE TRANSMITTER

ATI-0655

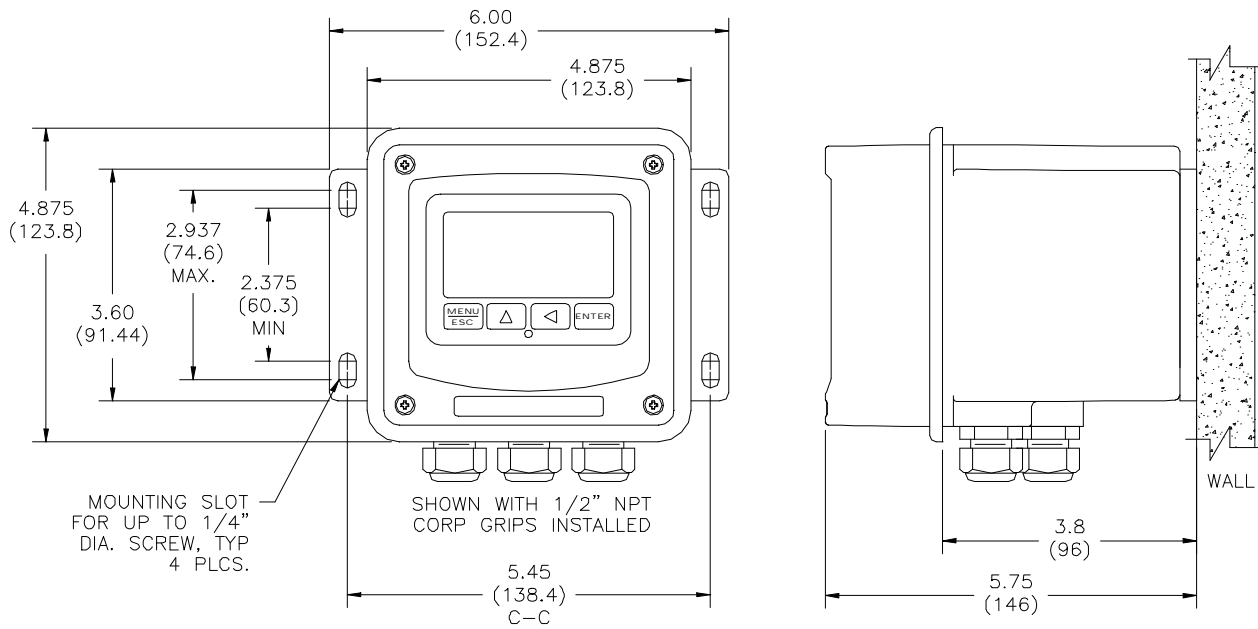
AC POWERED VERSION



Material: Polycarbonate
 Ratings: Nema 4X (IP-66)
 V-0 Fire Retardant

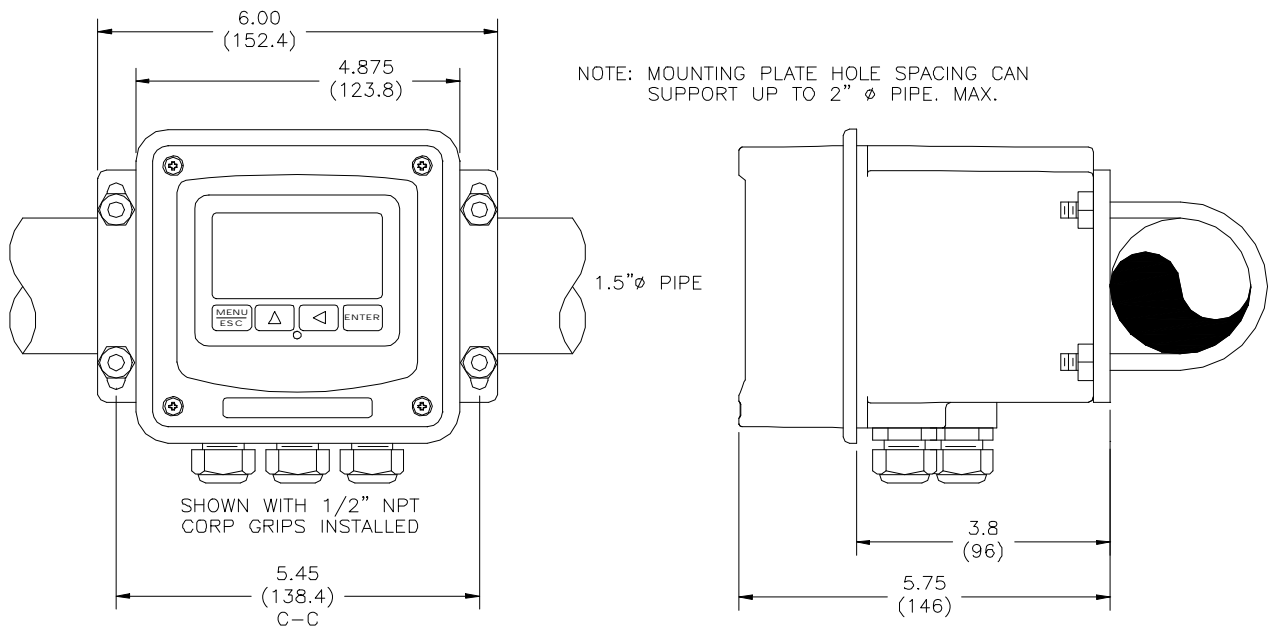
ATI-0706

WALL MOUNTING



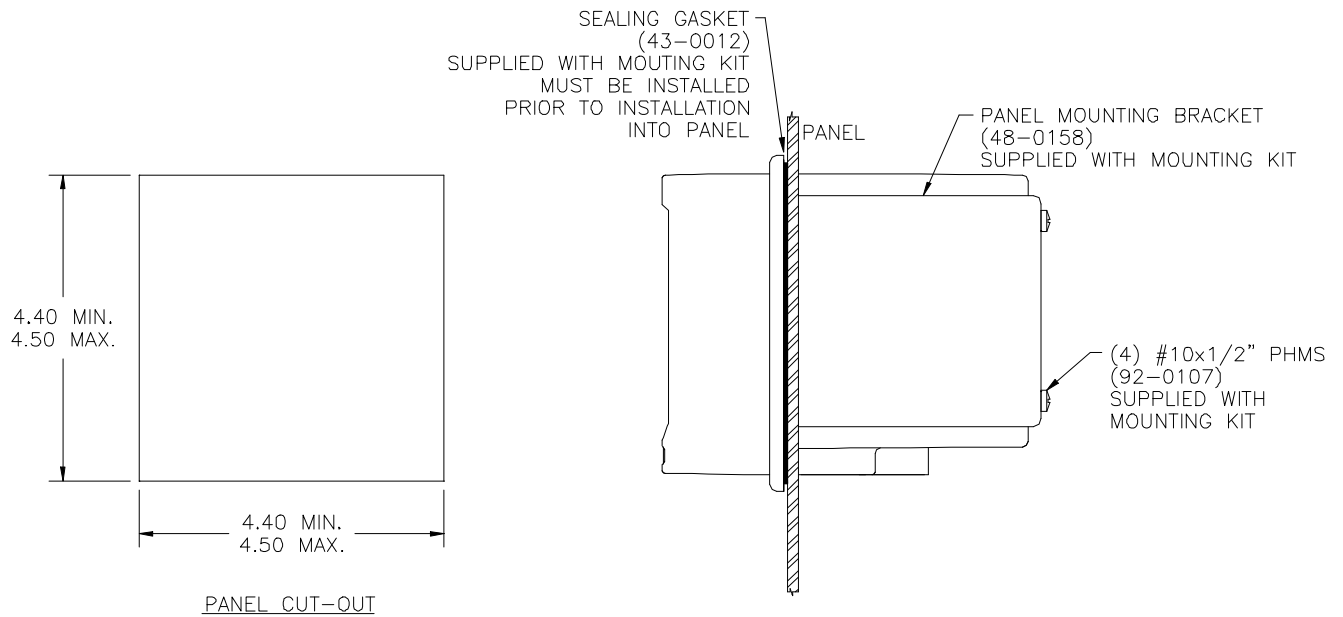
ATI-0709

PIPE MOUNTING



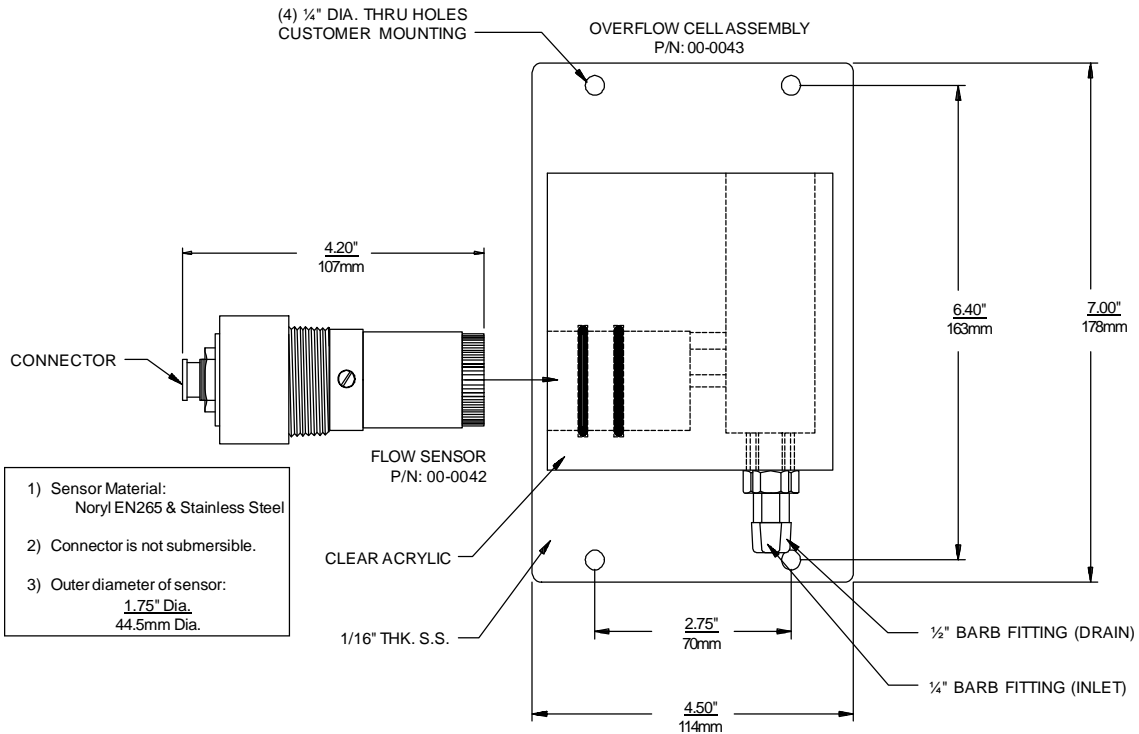
NOTE: PLATE MAY BE TURNED 90° FOR VERTICAL PIPE MOUNTING

ATI-0710

PANEL MOUNTING - AC UNITS

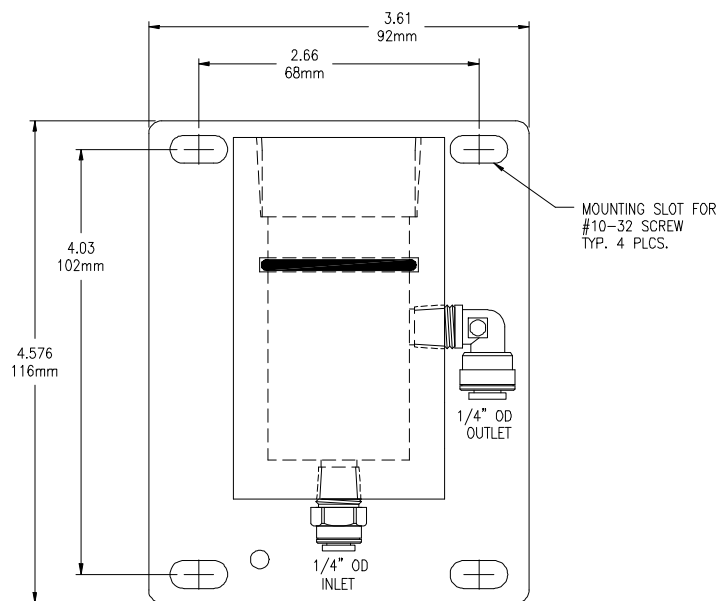
ATI-0711

FLOW SENSOR DIMENSIONS & OVERFLOW CELL INSTALLATION



ATI-0196

SEALED FLOWCELL ASSEMBLY DIMENSIONS



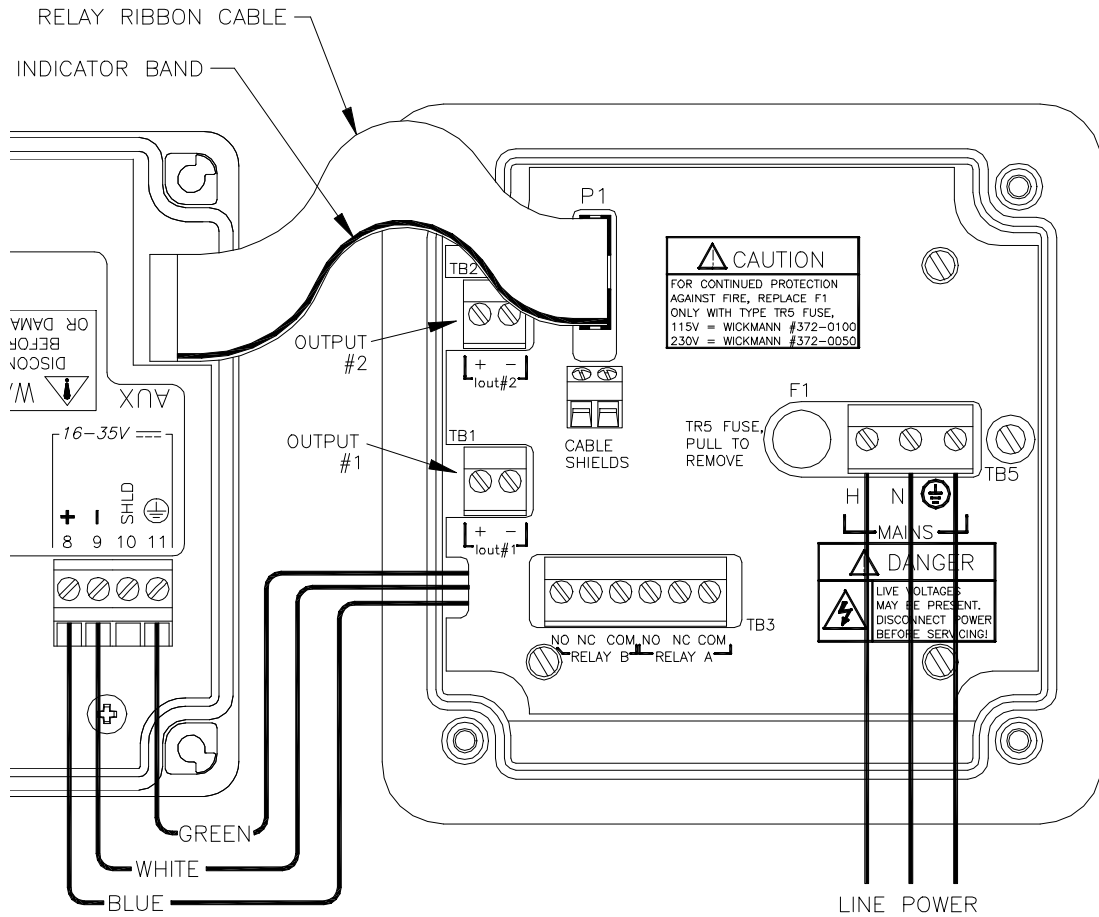
Material: Acrylic
Mounting Plate: PVC

FLOW STYLE SENSOR
SEALED FLOWCELL ASSEMBLY

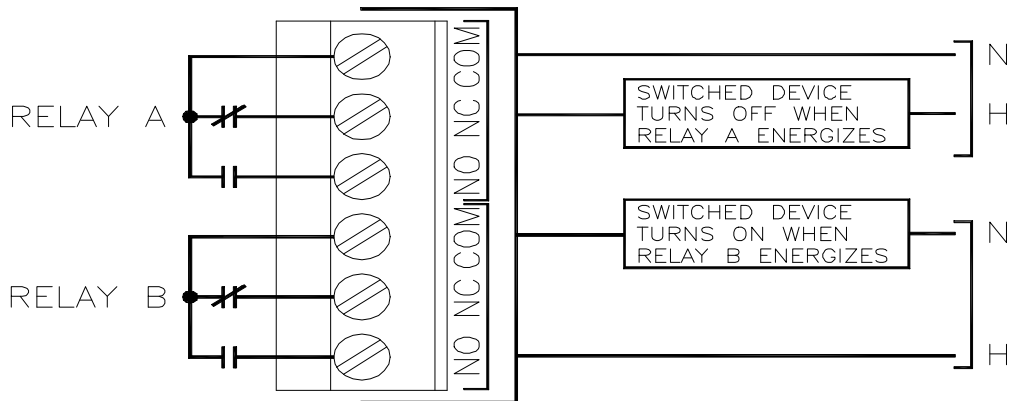
Note: Mounting slots will accommodate up to #10-32 screws

ATI-0859

AC POWER, RELAY, AND OUTPUT CONNECTIONS

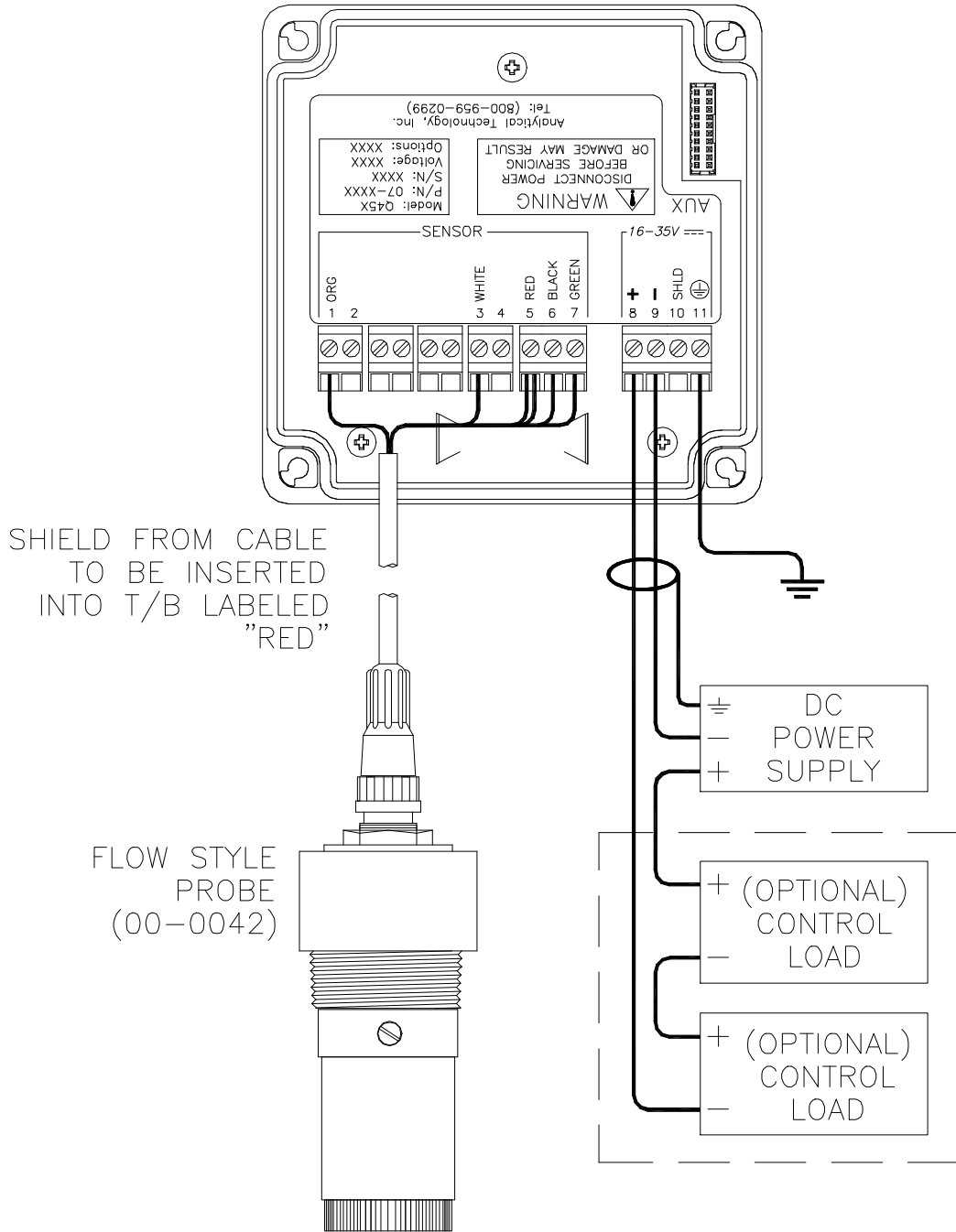


RELAY WIRING TB3 DETAIL



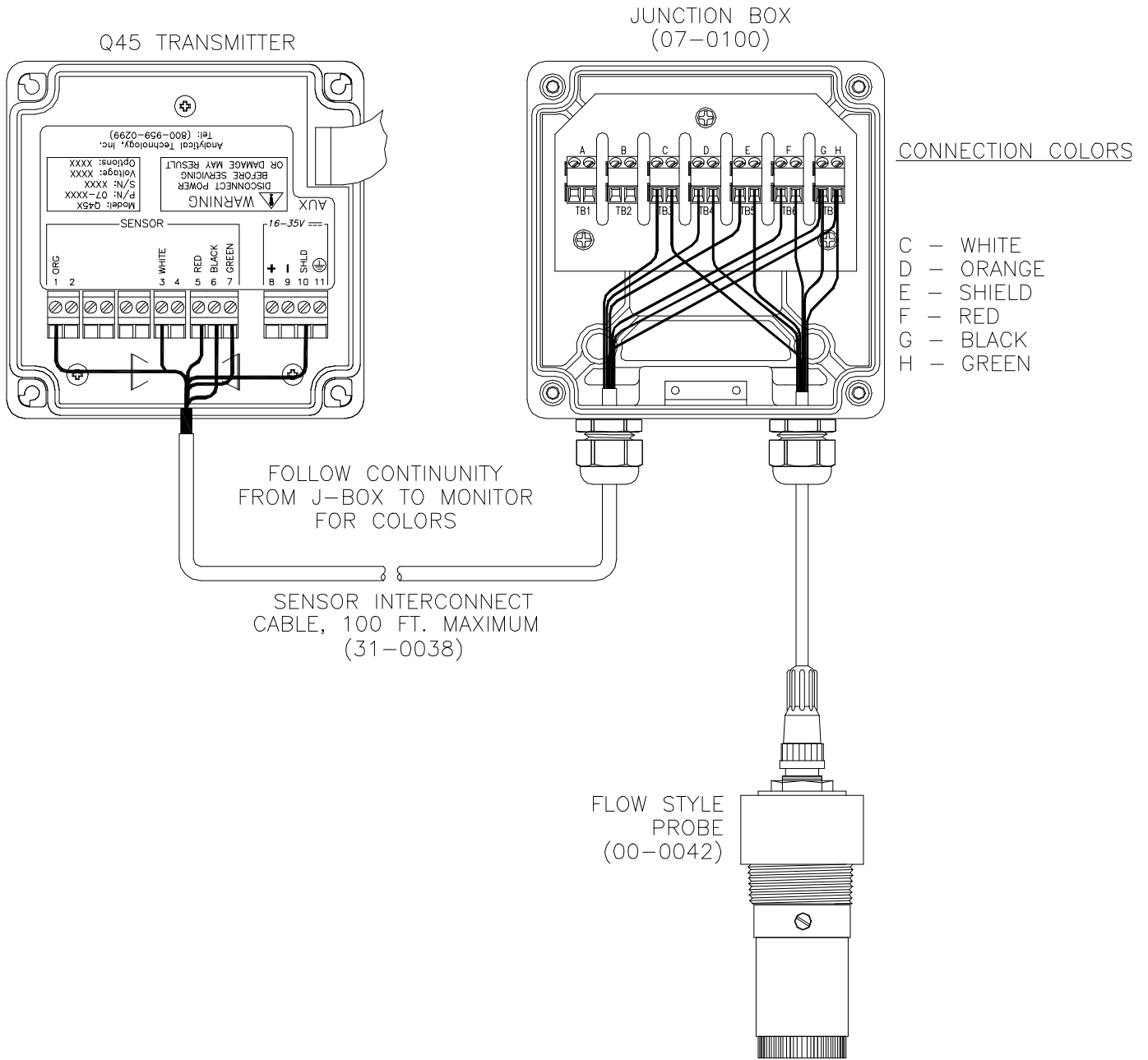
NOTE: DEVICE EXTERNAL WIRING ARE TYPICAL EXAMPLES. RELAY CONTACTS SHOWN IN NORMAL MODE.

ELECTRICAL CONNECTIONS - 2-WIRE TRANSMITTER



- NOTES:** 1. Voltage between Terminals 12 & 13 **MUST** be between 16 & 35 VDC.
 2. Earth ground into Terminal 15 is **HIGHLY** recommended. This connection can greatly improve stability in electrically noisy environments.

SENSOR CONNECTIONS - REMOTE JUNCTION BOX



ATI-0895