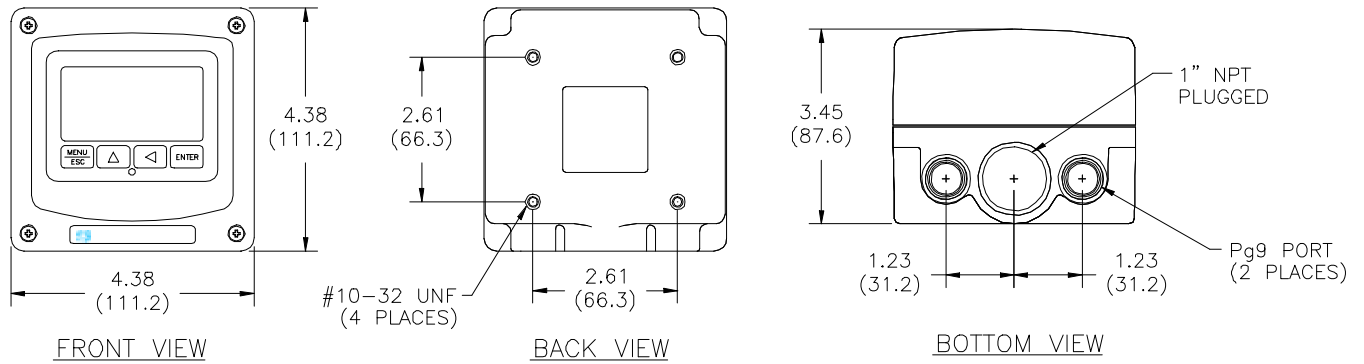


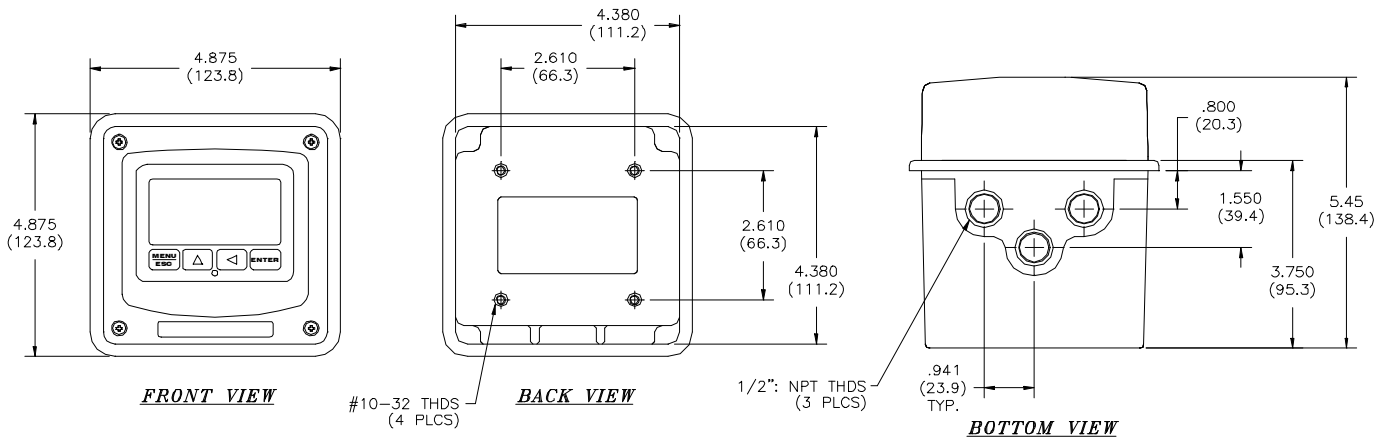
**2-WIRE VERSION (or BATTERY POWERED)**



**NOTE: JUNCTION BOXES HAVE SAME DIMENSIONS AS 2-WIRE TRANSMITTER**

ATI-0655

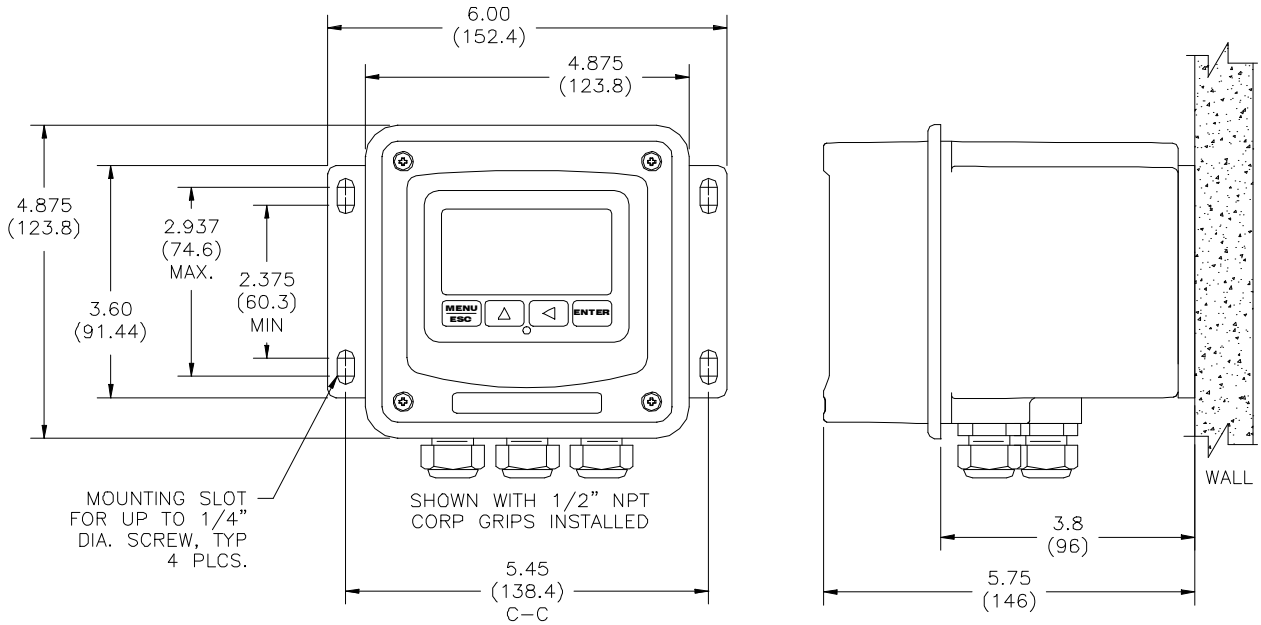
**AC POWERED VERSION**



Material: Polycarbonate  
 Ratings: Nema 4X (IP-66)  
 V-0 Fire Retardant

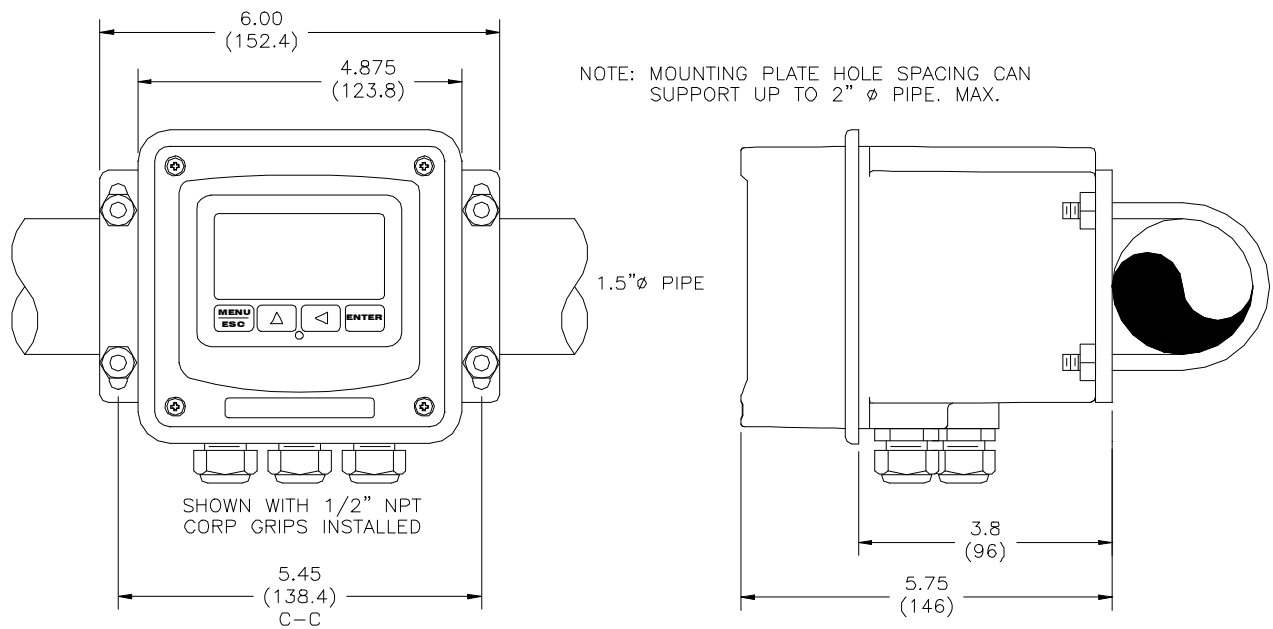
ATI-0706

**WALL MOUNTING**



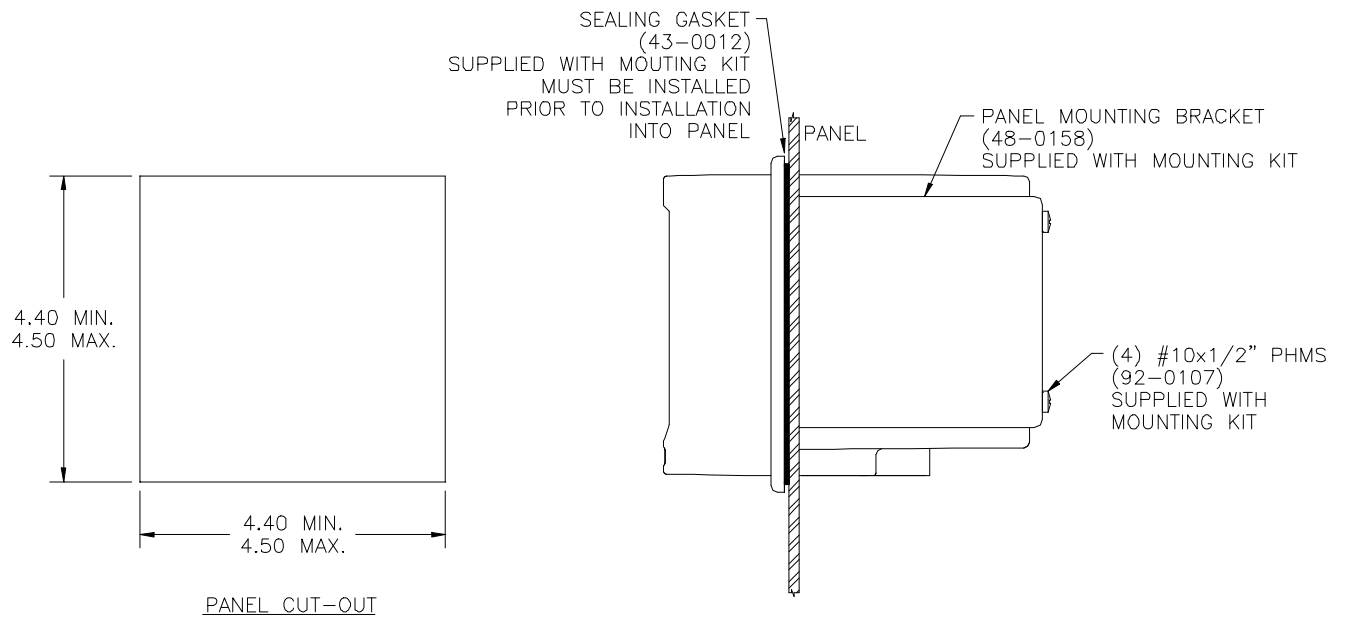
ATI-0709

**PIPE MOUNTING**



NOTE: PLATE MAY BE TURNED 90° FOR VERTICAL PIPE MOUNTING

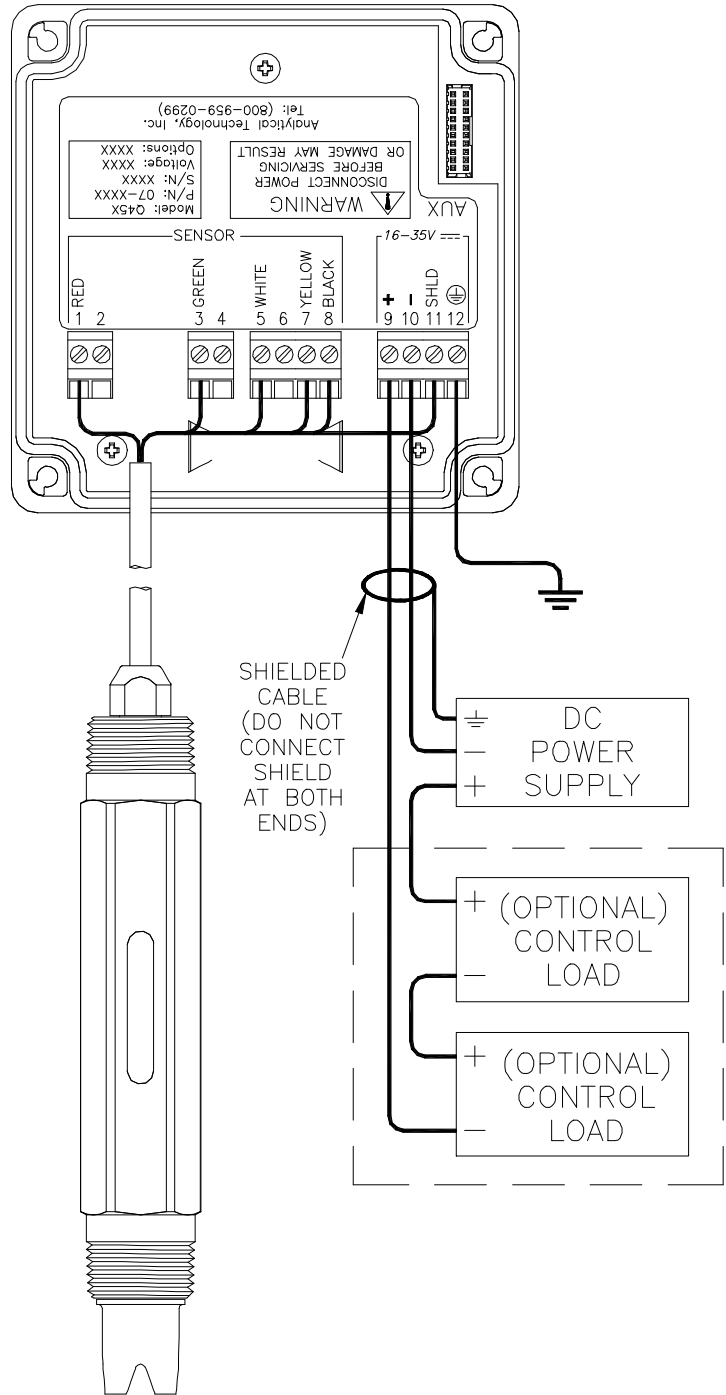
ATI-0710

**PANEL MOUNTING - AC UNITS**

ATI-0711

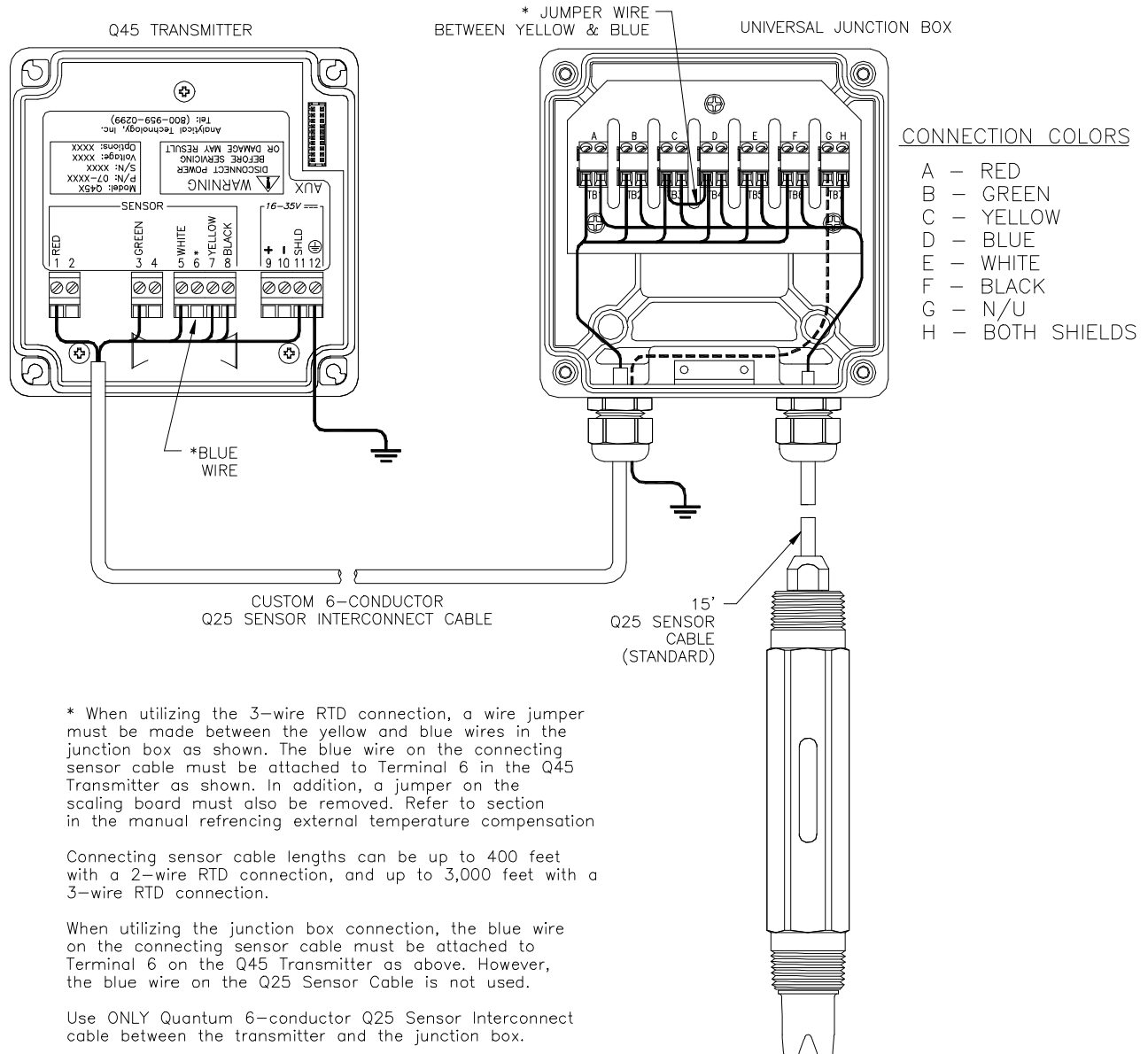


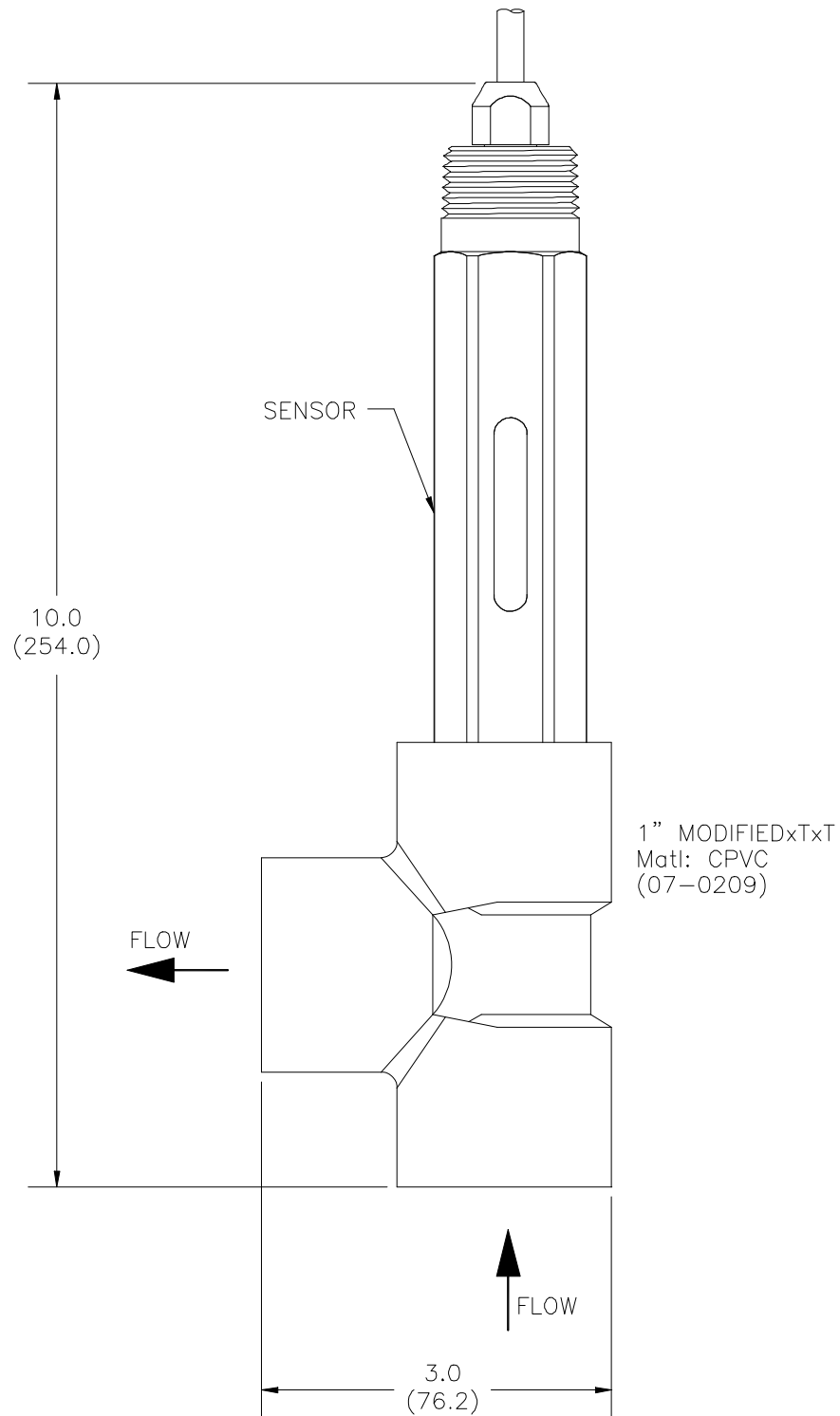
**ELECTRICAL CONNECTIONS - 2-WIRE TRANSMITTER**



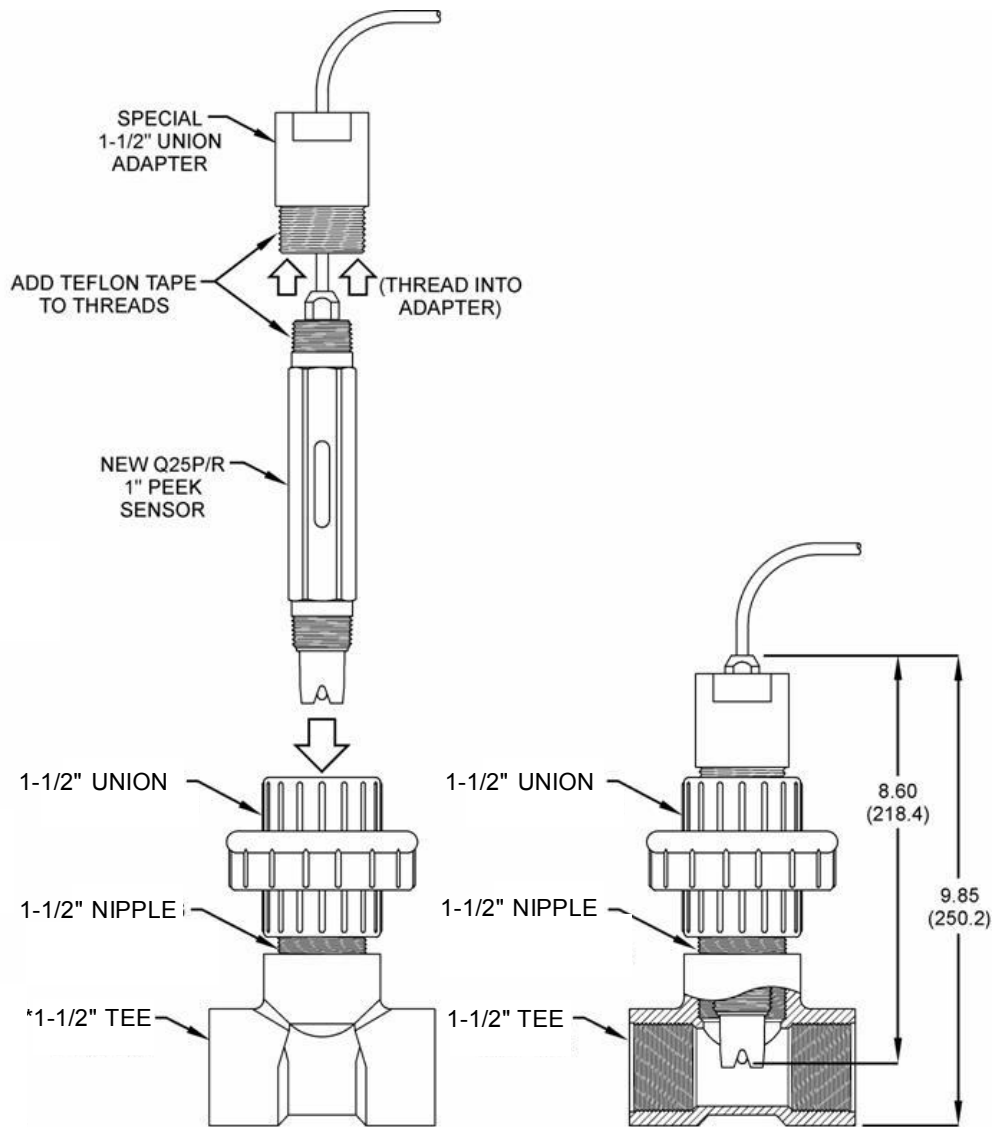
- NOTES:** 1. Voltage between Terminals 9 & 10 MUST be between 16 & 35 VDC.  
 2. Earth ground into Terminal 12 is HIGHLY recommended. This connection can greatly improve stability in electrically noisy environments.

**ELECTRICAL CONNECTIONS - 2-WIRE WITH JUNCTION BOX**



**FLOW TEE DETAIL**

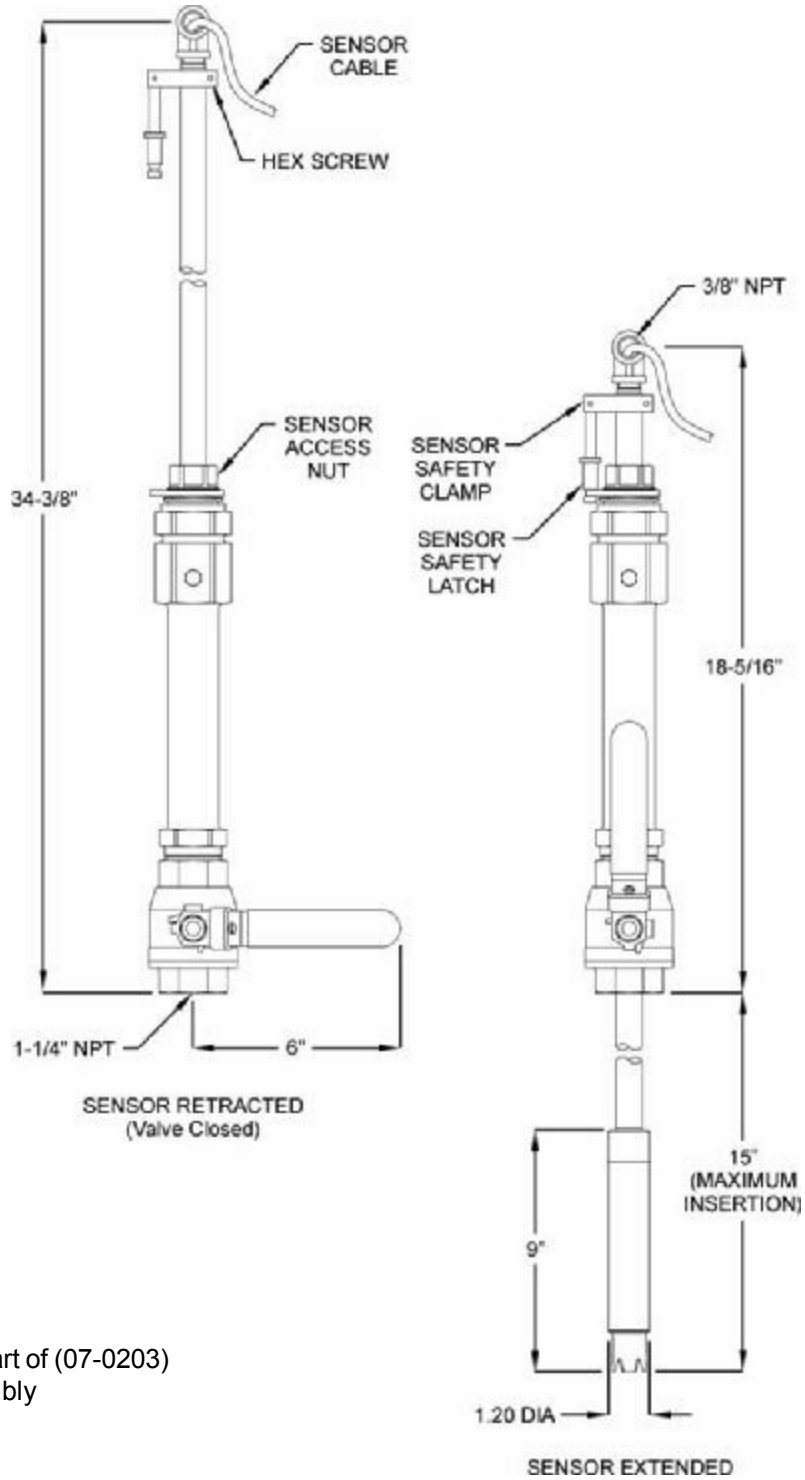
**1-1/2" UNION DETAIL - (07-0221)**



\* 1-1/2" TEE Fitting not supplied with P/N (07-0221). Tee Fitting must be ordered Separately

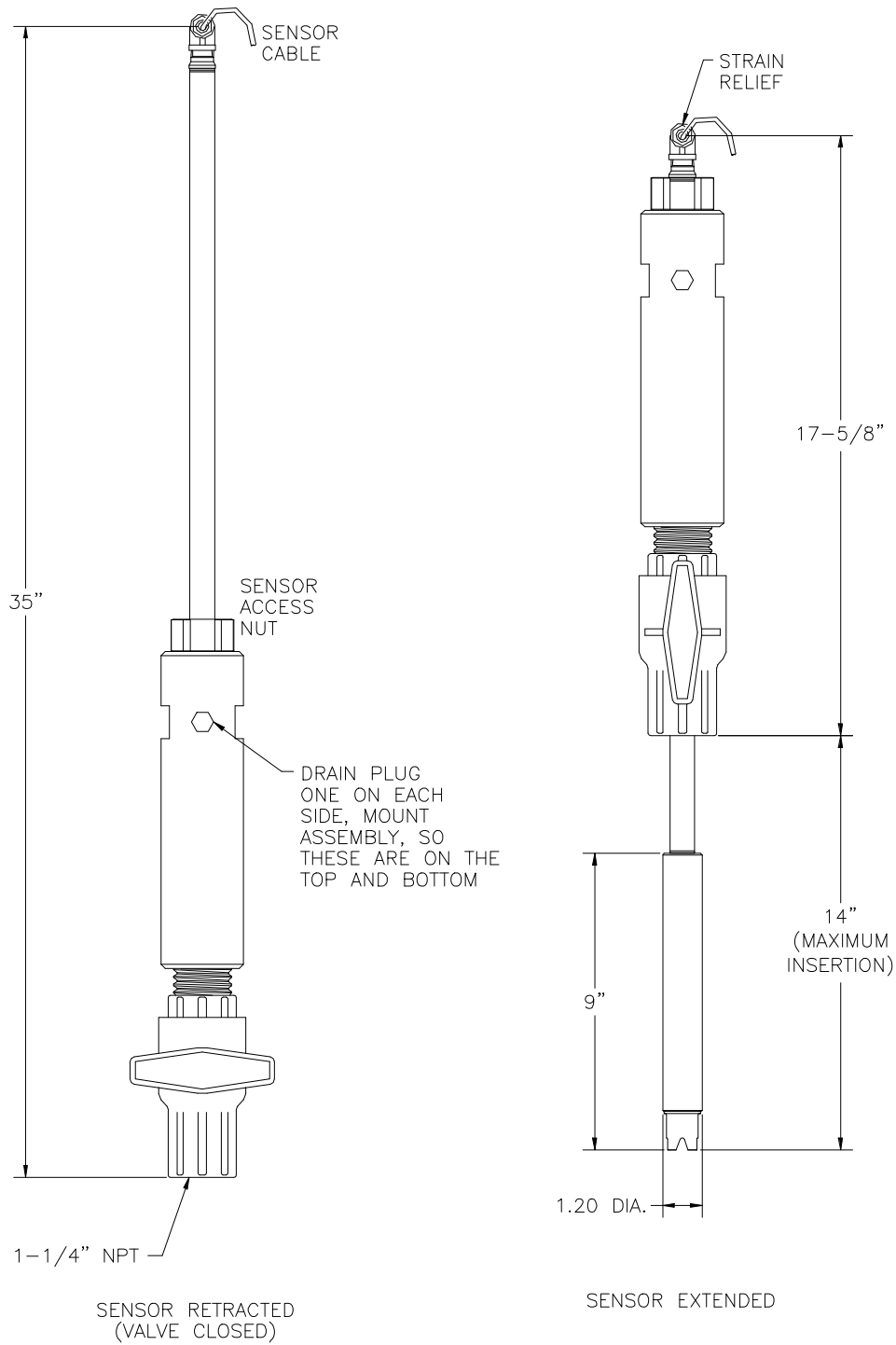


**INSERTION ASSEMBLY DETAIL (07-0203) - (SS VERSION)**



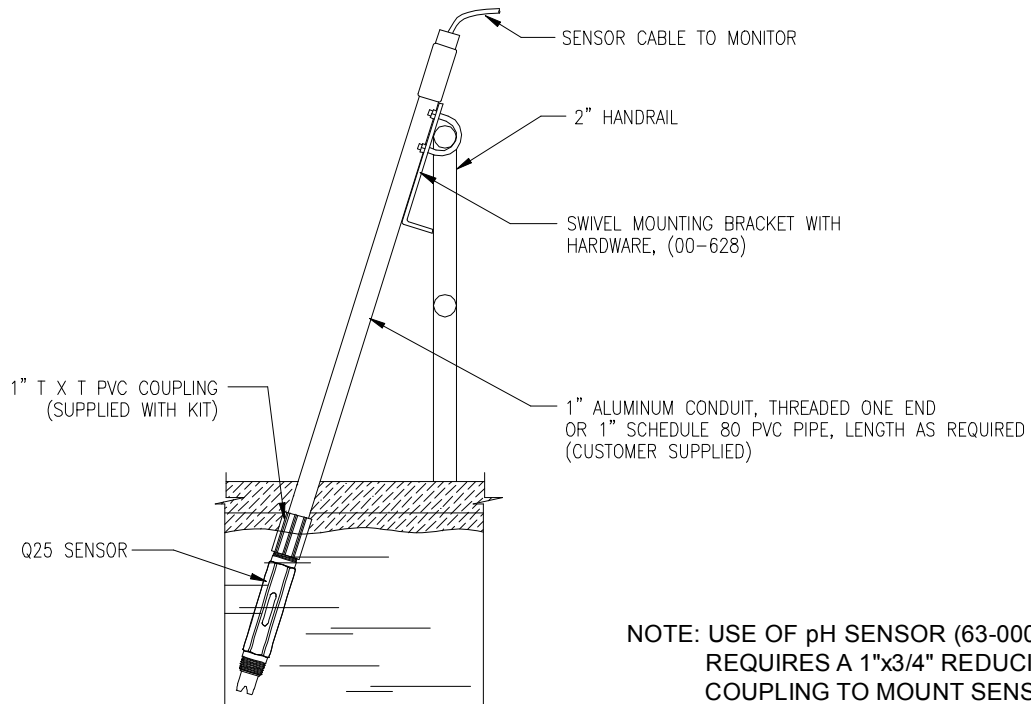
NOTE: Sensor is not part of (07-0203) insertion assembly

**INSERTION ASSEMBLY DETAIL (07-0223) - (CPVC VERSION)**



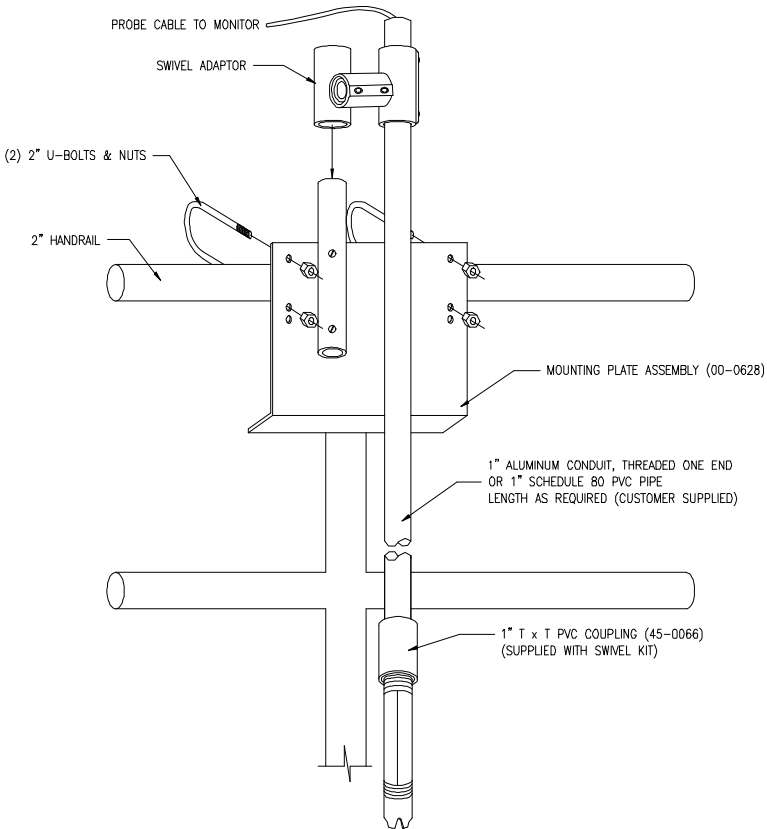
NOTE: Sensor is not part of (07-0223) insertion assembly

**SUBMERSION SENSOR DETAIL**



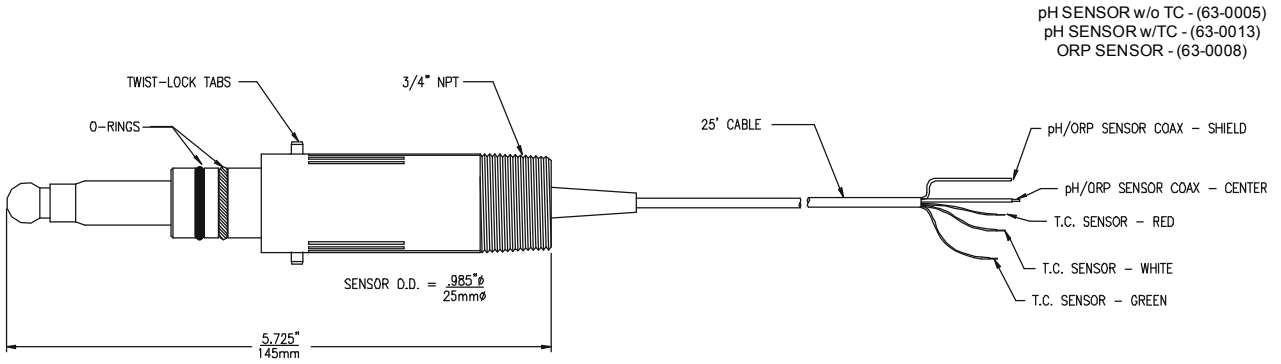
**NOTE: USE OF pH SENSOR (63-0009) REQUIRES A 1"x3/4" REDUCING COUPLING TO MOUNT SENSOR TO CONDUIT (CUSTOMER SUPPLIED)**

ATI-0728



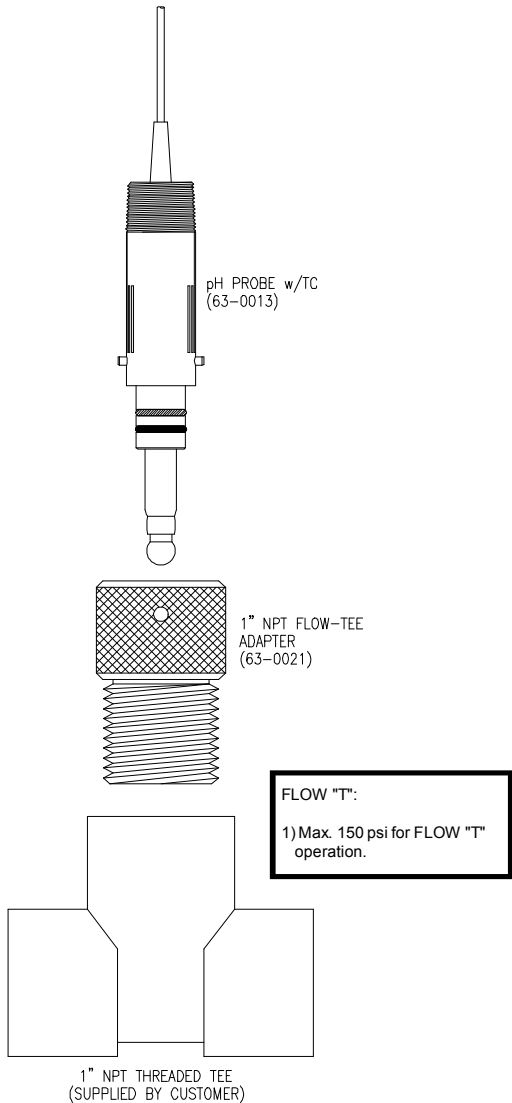
ATI-0729

**FLOW SENSOR DIMENSIONS**



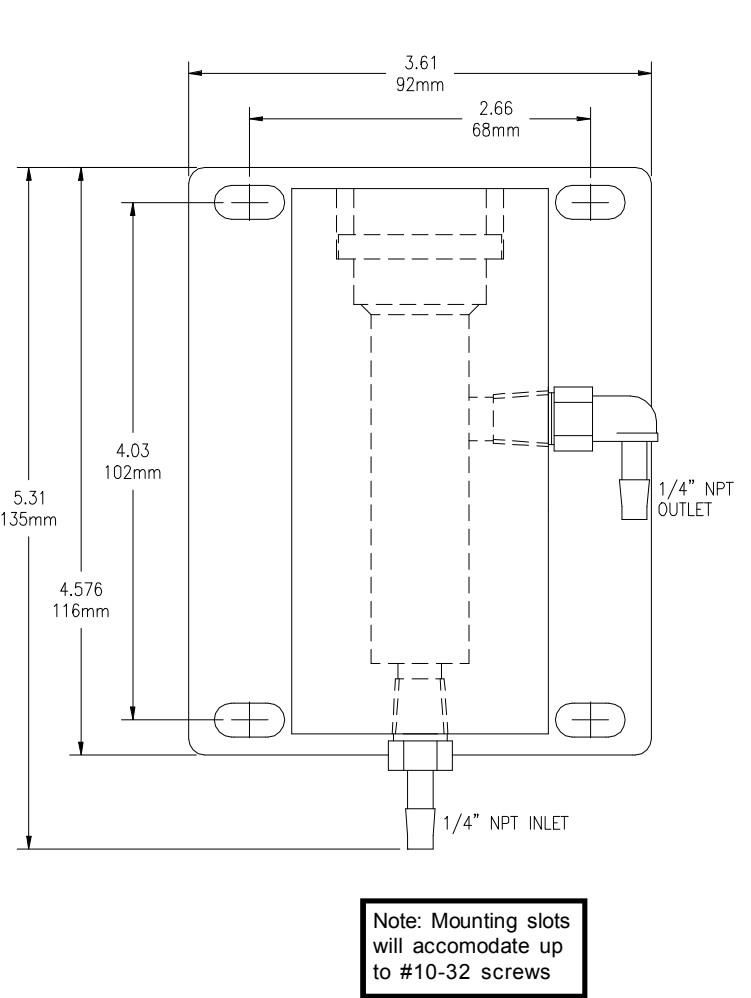
ATI-0313

**FLOW "T" INSTALLATION**

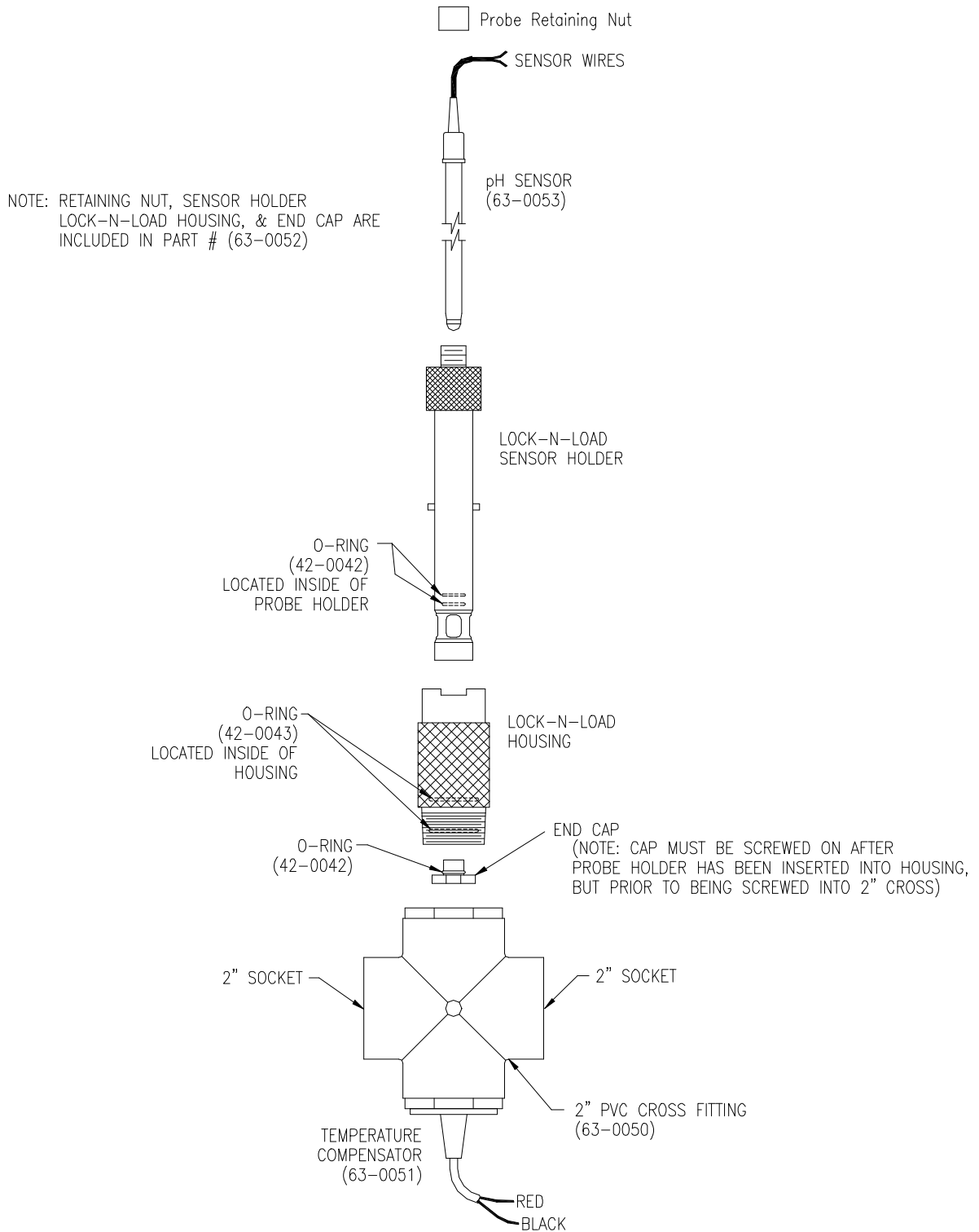


ATI-0333

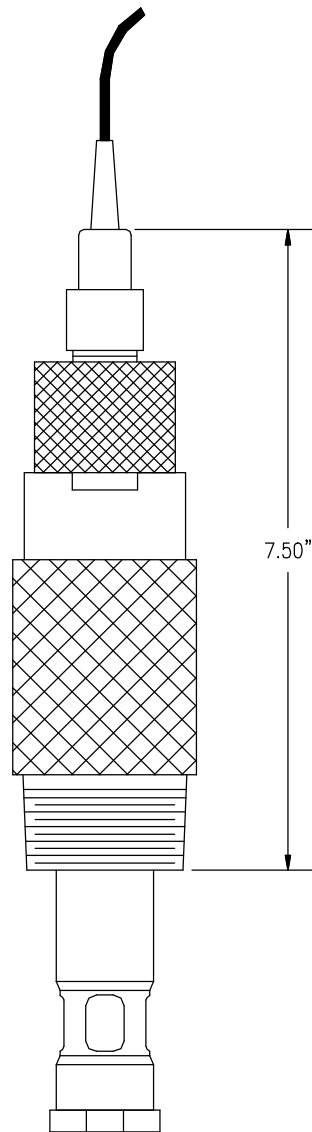
**SEALED pH FLOWCELL ASSY (00-1527)**



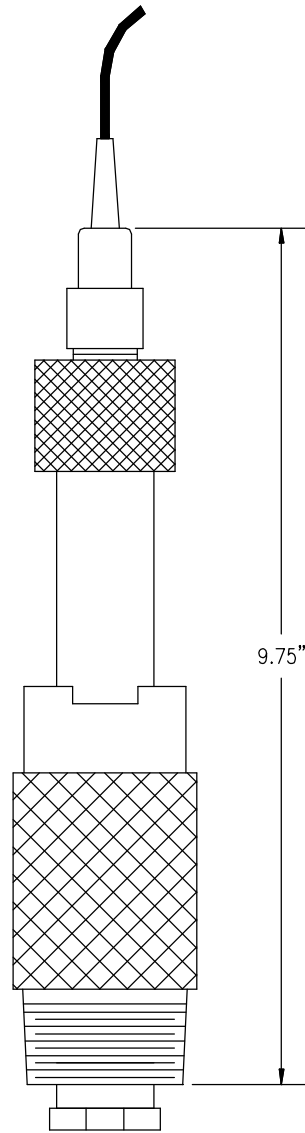
**LOCK-N-LOAD SENSOR (EXPLODED VIEW)**



ATI-0622

**LOCK-N-LOAD SENSOR (OPERATIONAL DIAGRAMS)**

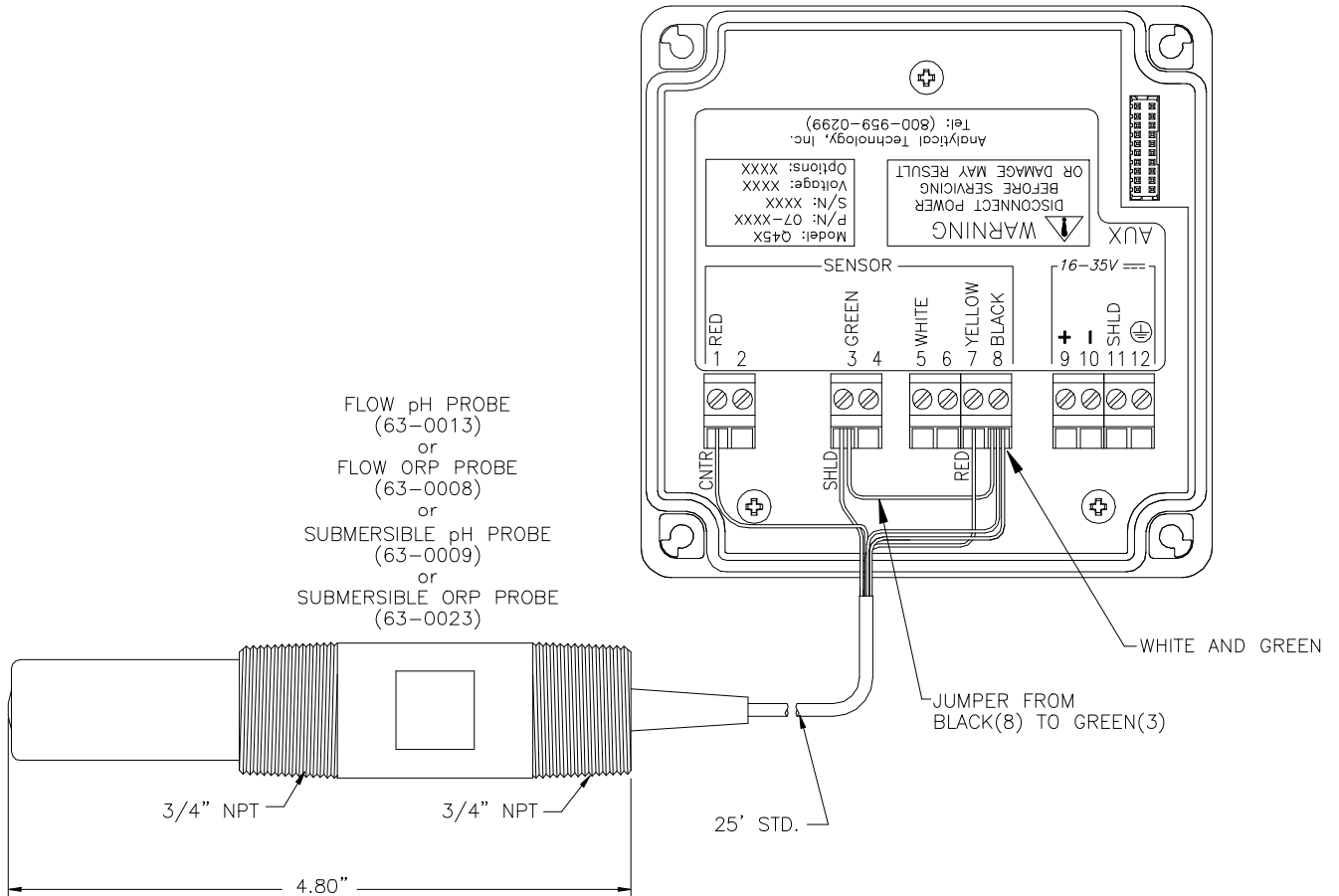
OPERATIONAL POSITION



MAINTENANCE POSITION

ATI-0626

**SENSOR CONNECTION (COMBINATION ELECTRODE)**

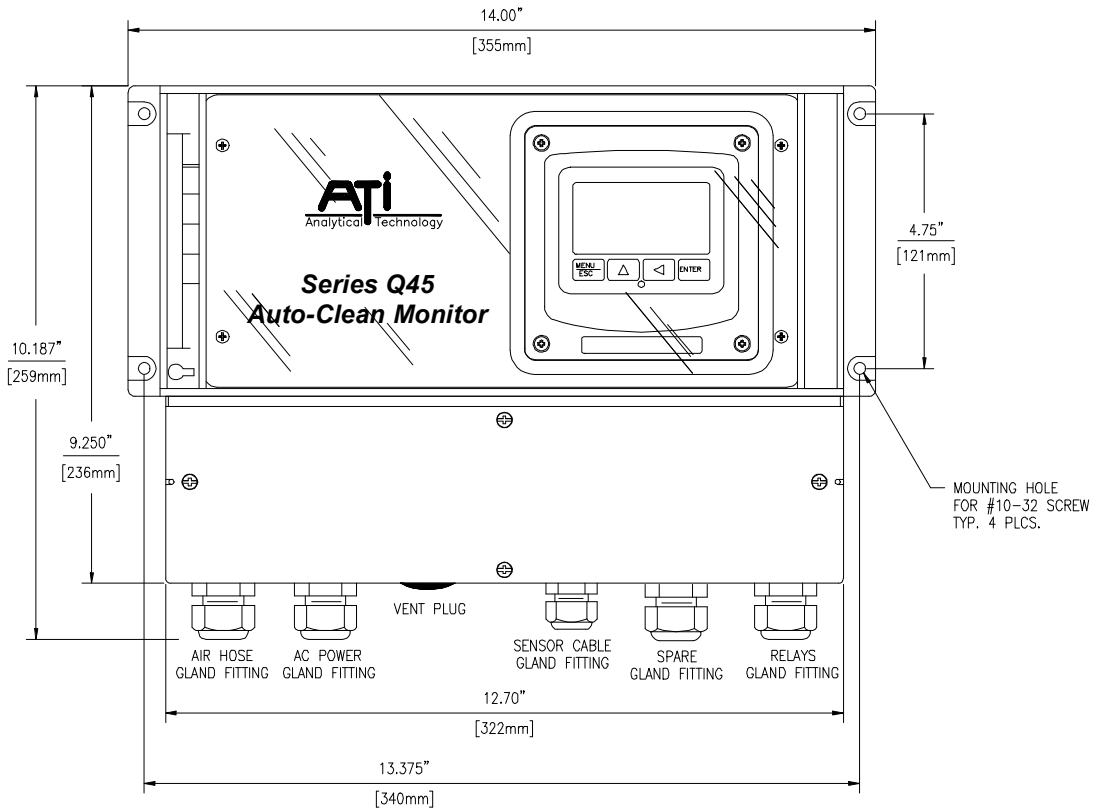


**FOR OTHER COMBINATION ELECTRODES, CONNECT AS FOLLOWS:**

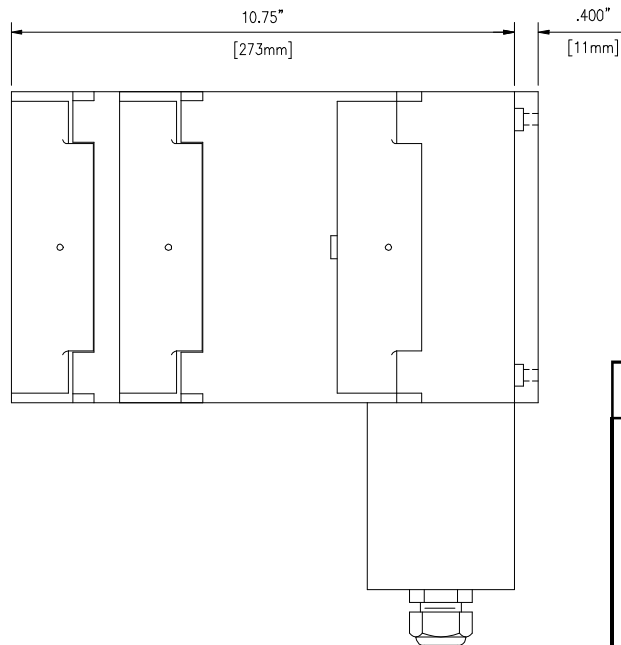
- Terminal 1 - Glass Electrode
- 3 - Reference Electrode
- 7 - PT100 or PT1000 Temp. Element
- 8 - PT100 or PT1000 Temp Element

- NOTES: 1. Terminals 3 and 8 **MUST** be connected with jumper wire.  
 2. ORP sensors **DO NOT HAVE** T/C connections.

**Q45P/R AUTO-CLEAN pH/ORP MONITOR**



FRONT VIEW

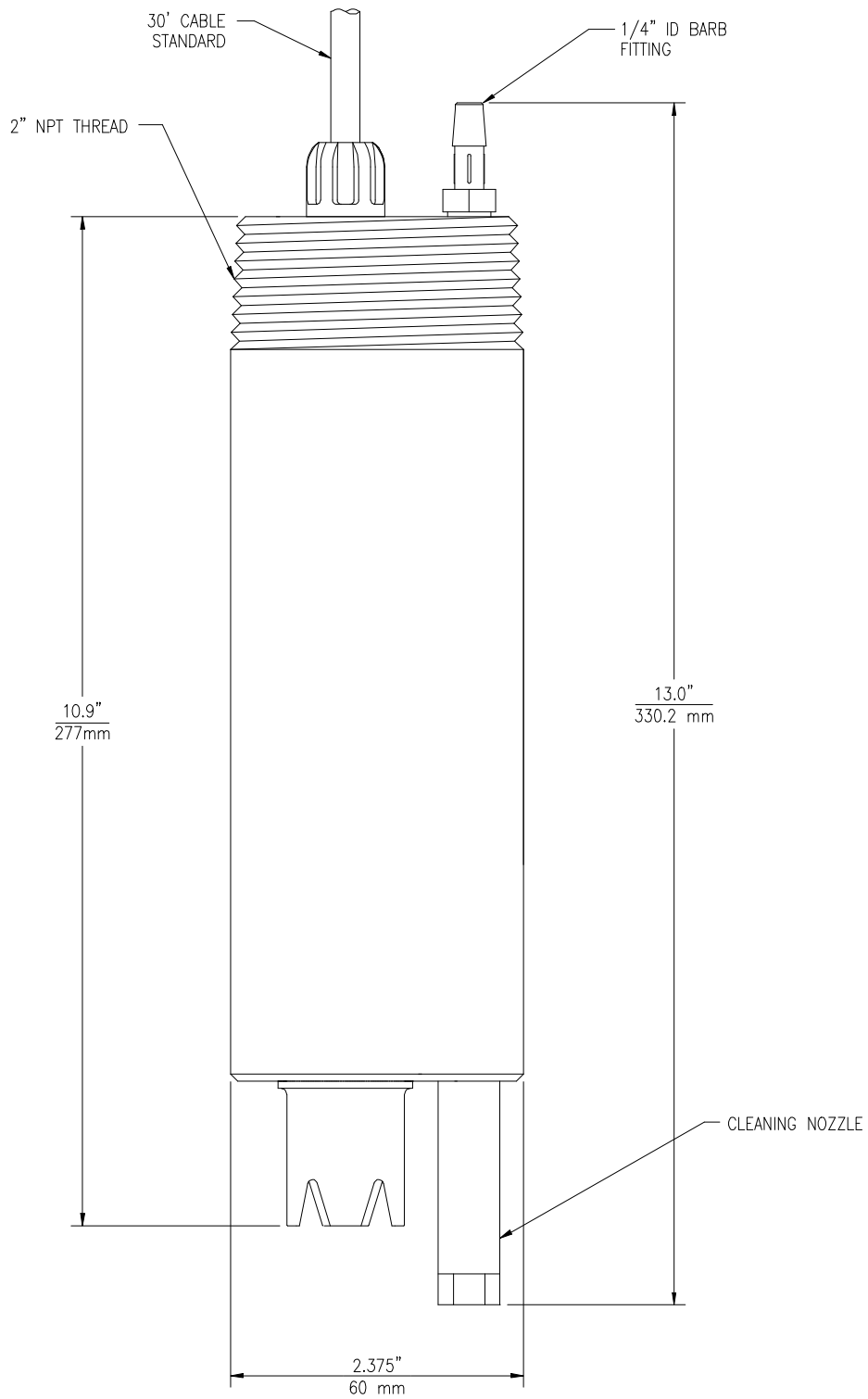


SIDE VIEW

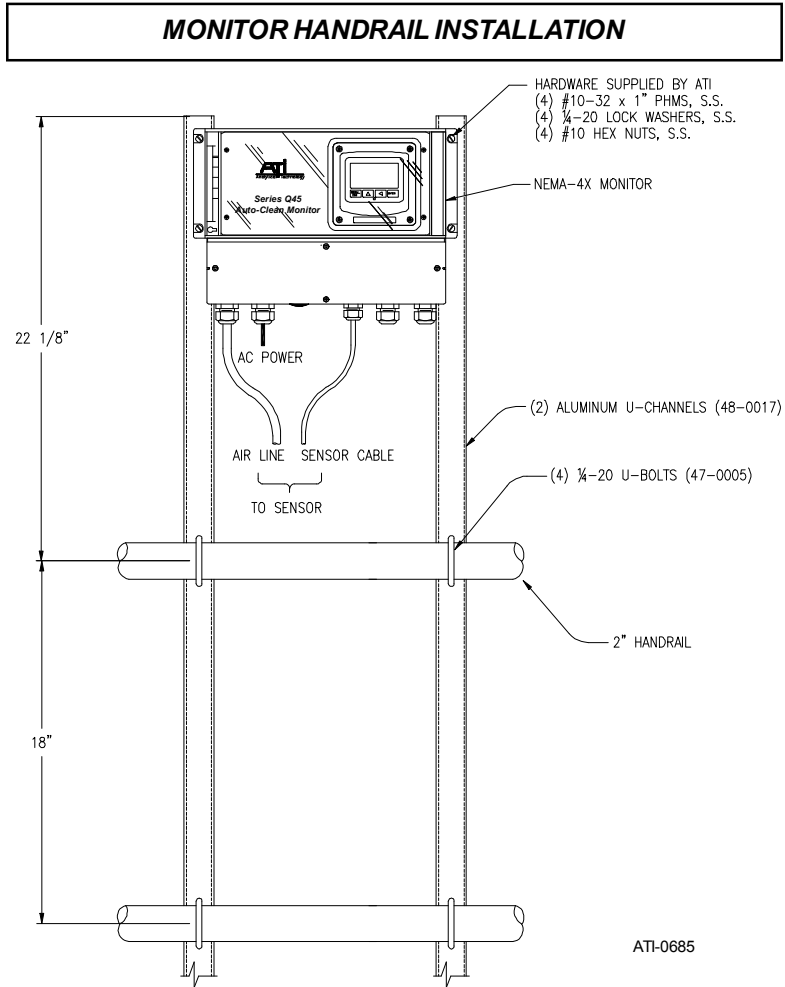
**NOTES**

- 1) Nema-4X Enclosure Material:  
Base: Molded ABS, Tan in Color  
Cover: Clear Lexan w/Dual Hinge
- 2) Nema-4X Rating:  
Nema rated types 4, 4X  
IEC 529 rated IP66
- 3) Sensor Material:  
Noryl EN265 & Stainless Steel

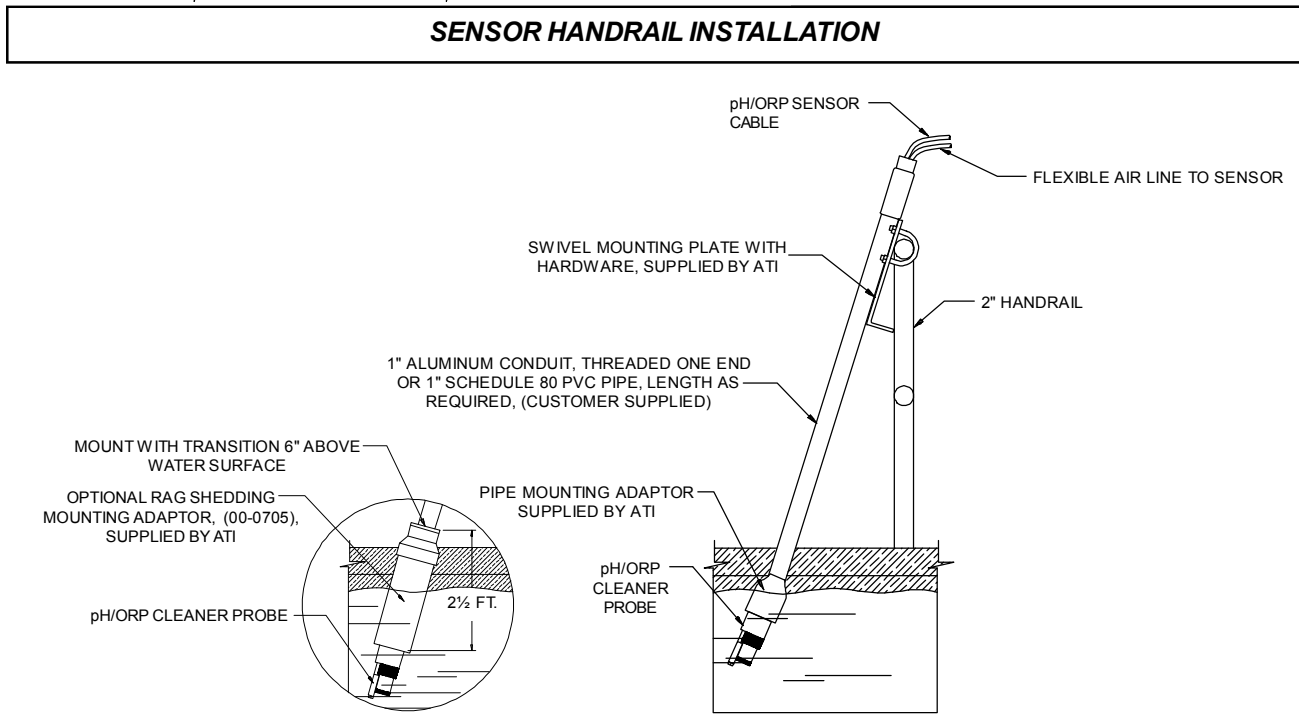


**30' AUTO-CLEAN pH SENSOR (07-0127), 30' ORP (07-0129)**

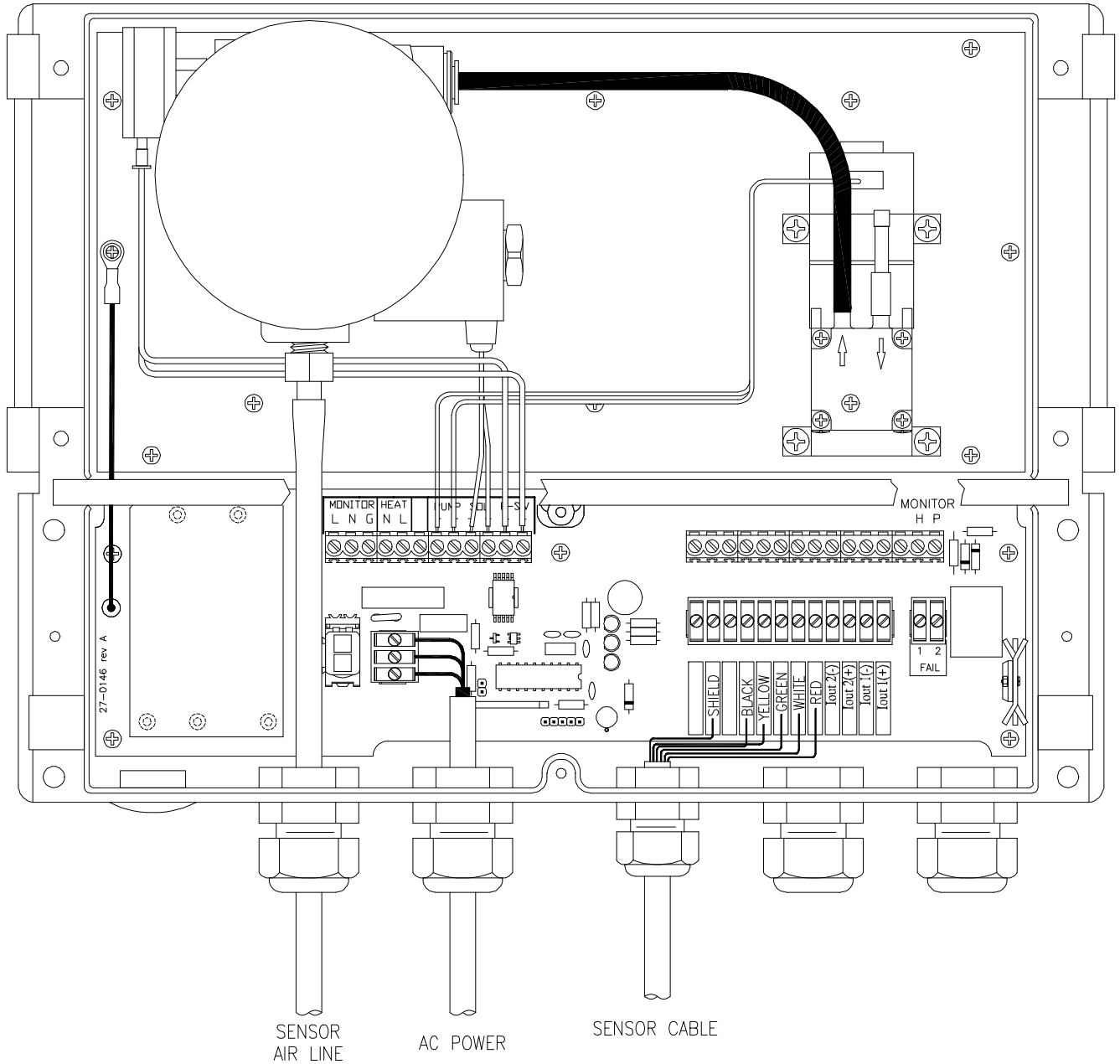
ATI-0734



- ### NOTES
- 1) Always mount sensor cleaner within 25 ft. of sensor if possible. Maximum air line distance is 50 ft.
  - 2) Sun shade over monitor is recommended in hot climates.
  - 3) Monitor Handrail Mounting Kit # 00-0930 supplies all hardware listed for mounting monitor.
  - 4) Wall mounting requires customer supplied screws or bolts.
  - 5) Sensor Pipe Mounting Kit # 00-0624 supplies mounting plate with hardware and PVC pipe mounting adaptor.
  - 6) Sensor Pipe Mounting Kit with Rag Shedder # 00-0629 supplies mounting plate with hardware and PVC rag shedder.



**STANDARD SYSTEM WIRING DIAGRAM**



ATI-0733