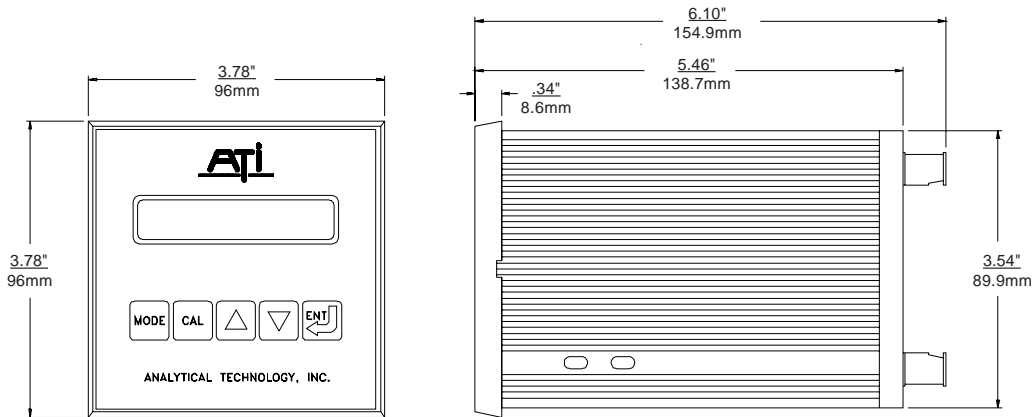
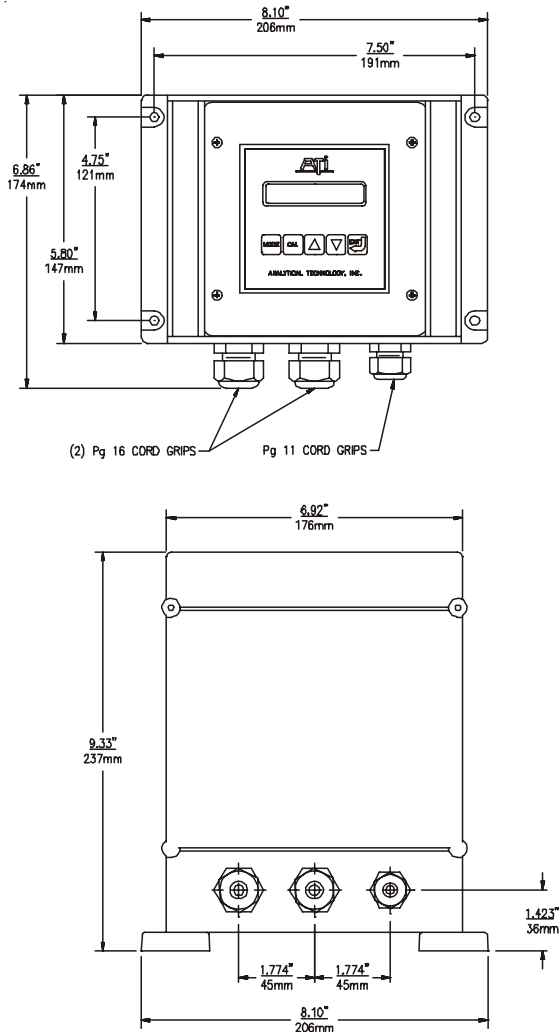


**PANEL MOUNT VERSION**



ATI-0124

**NEMA-4X VERSION**

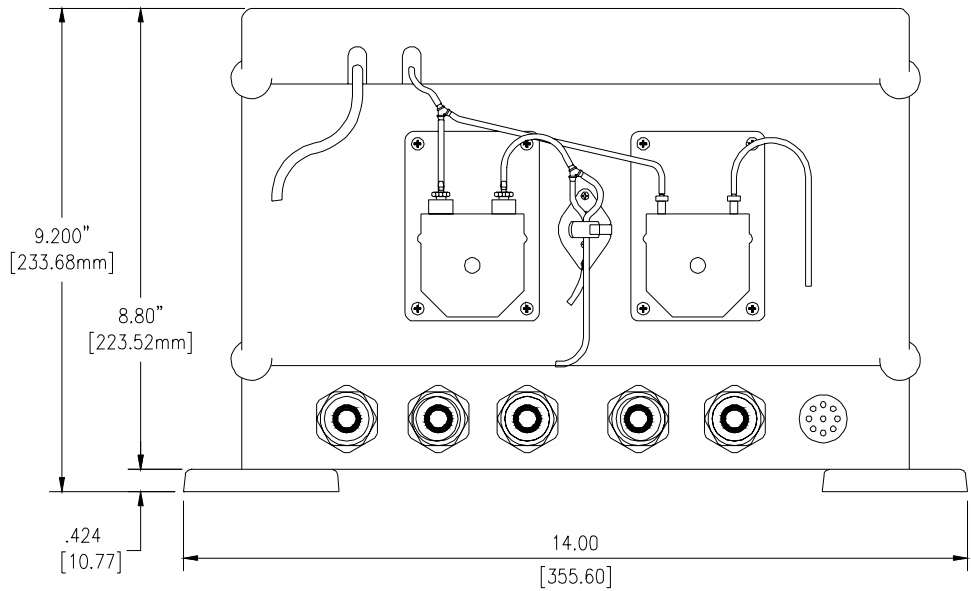
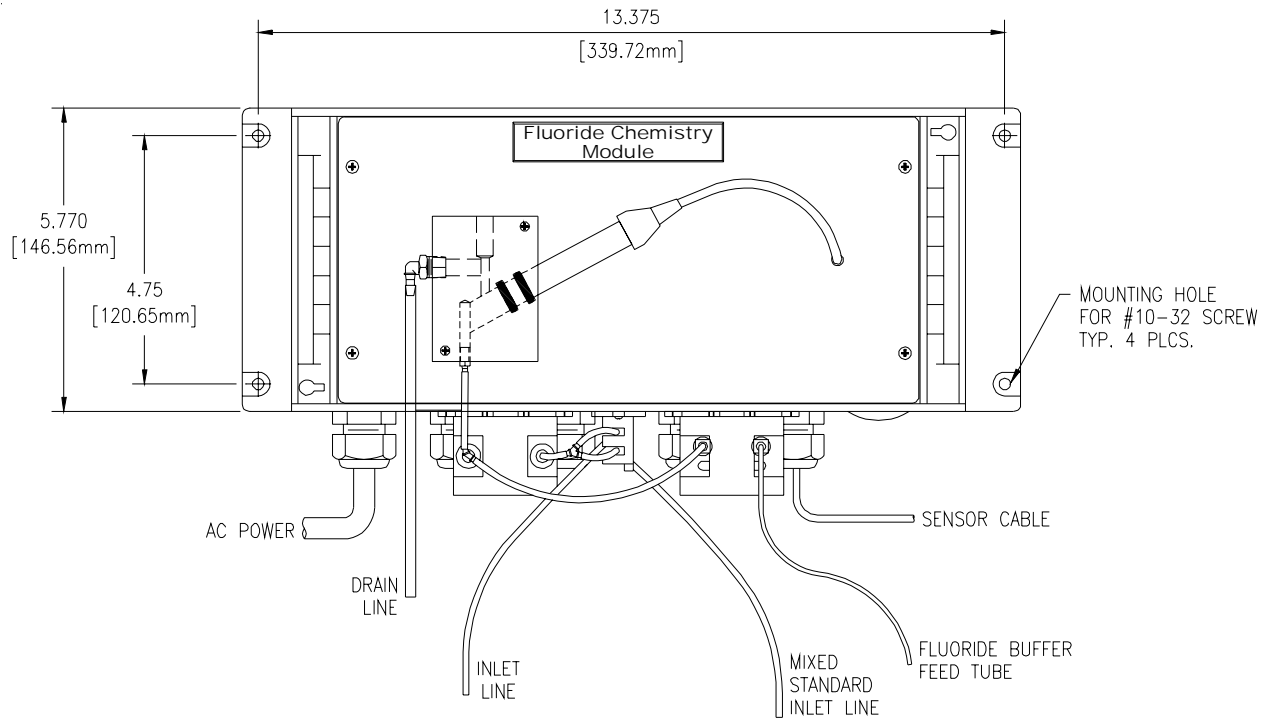


ATI-010

**NOTES**

- 1) Panel Mount Enclosure Material:  
Aluminum, Black Anodized
- 2) Nema-4X Enclosure Material:  
Base: Molded ABS, tan in color  
Cover: Clear Lexan, tan in color
- 3) Nema-4X Rating:  
NEMA rated types 4,4X  
IEC 529 rated IP66  
flammability rating UL94 HB

**CHEMISTRY ENCLOSURE**

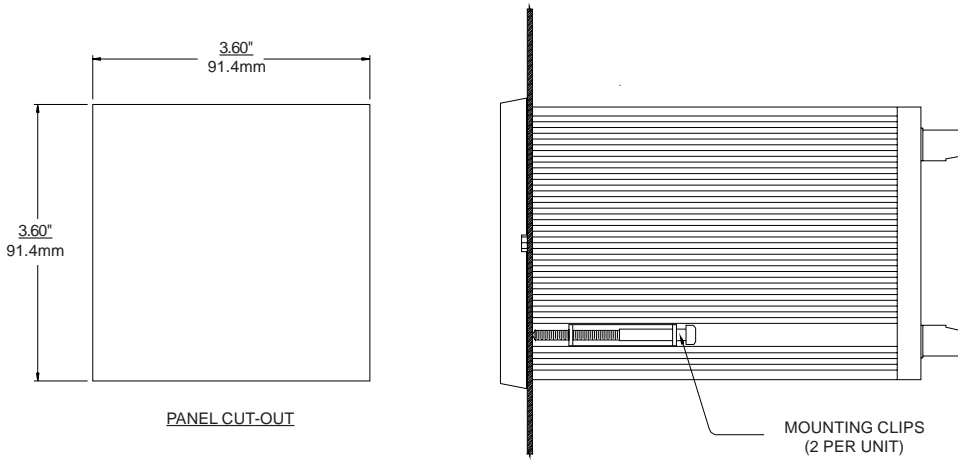


**MATERIAL:**  
 BASE: MOLDED ABS, TAN IN COLOR.  
 COVER: CLEAR LEXAN W/DUAL HINGE

**RATINGS:**  
 NEMA RATED TYPES 4, 4X  
 IEC 529 RATED IP66  
 FLAMMABILITY RATING UL94 HB

ATI-0509

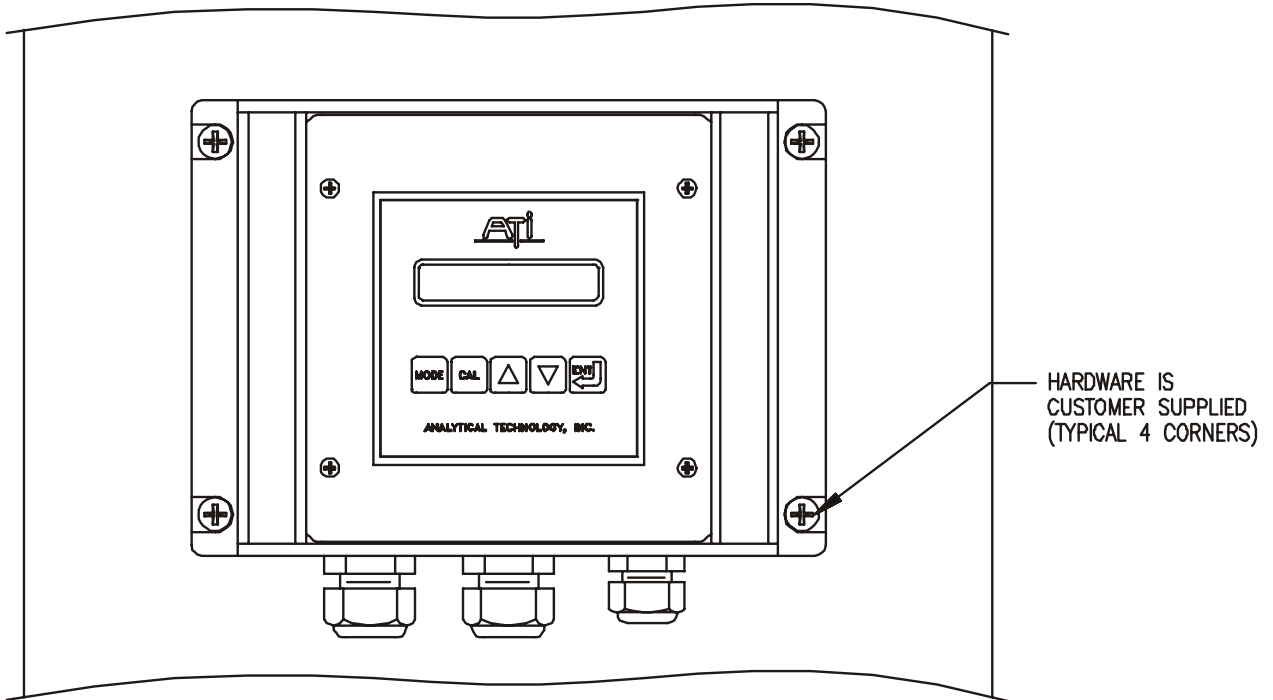
**PANEL MOUNT**



ATI-0125, RA, (10/95)

- 1) Front of panel is NEMA 1, general purpose only.
- 2) Panel mounting clips supplied with monitor.

**WALL MOUNT - NEMA-4X**

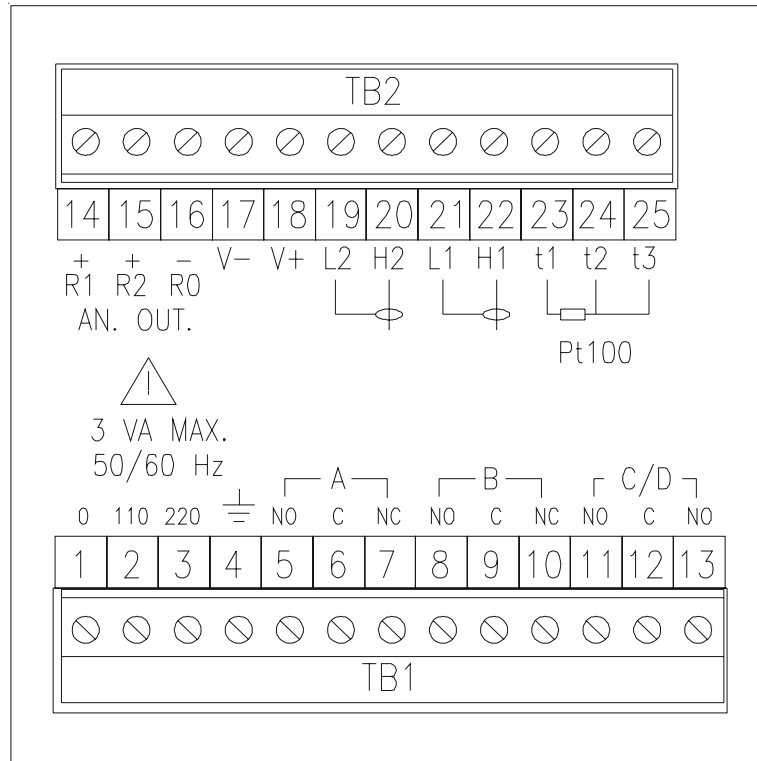


ATI-0126

- 1) Wall mounting requires customer supplied screws or bolts.

**A15/82 FLUORIDE MONITOR**

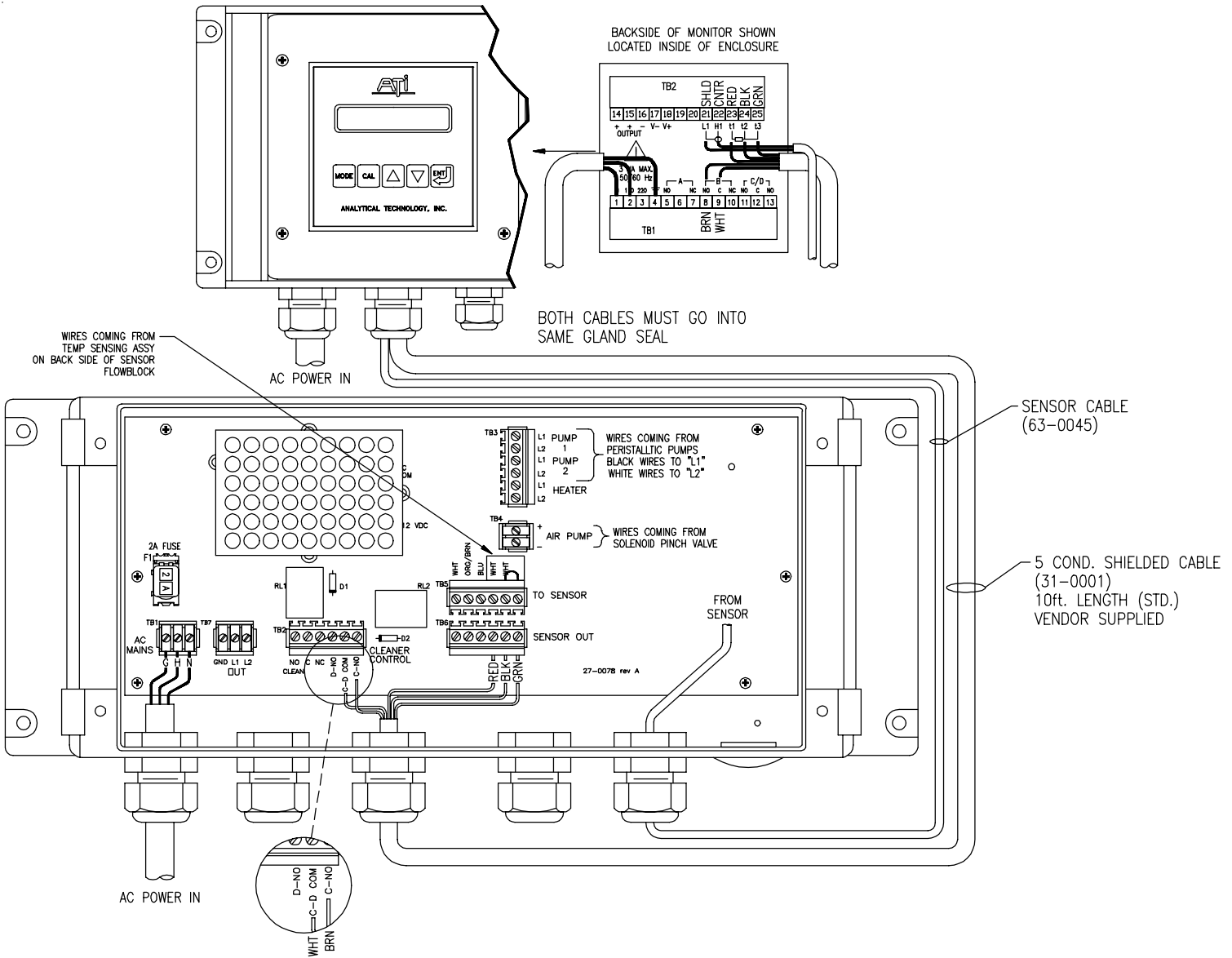
A15/82 FLUORIDE MONITOR  
(BACK VIEW)



ATI-0311

1: AC POWER - Neutral	14: 4-20 mA OUTPUT CHANNEL 1 (+)
2: AC POWER - 110V - HOT	15: NOT USED
3: AC POWER - 220V - HOT	16: 4-20 mA OUTPUT CHANNELS 1 & 2 (-)
4: AC - GROUND	17: V- PREAMP POWER (-12VDC) - BROWN
5: RELAY A - Normally Open	18: V+ PREAMP POWER (+12VDC) - RED
6: RELAY A - Common	19: NOT USED
7: RELAY A - Normally Closed	20: NOT USED
8: RELAY B - Normally Open	21: REFERENCE ELECTRODE (AND F SHIELD)
9: RELAY B - Common	22: FLUORIDE ELECTRODE
10: RELAY B - Normally Closed	23: NOT USED
11: CLEANER RELAY C - Normally Open	24: NOT USED
12: RELAY C/D - Common	25: NOT USED
13: ALARM RELAY D - Normally Closed	

**AC POWER WIRING CHEMISTRY ENCLOSURE (CUSTOMER CONNECTIONS)**



ATI-0510

**SYSTEM CONFIGURATION**

